





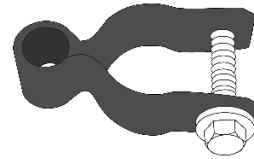

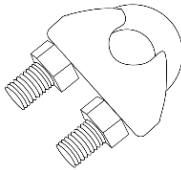
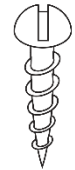

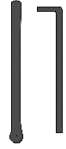
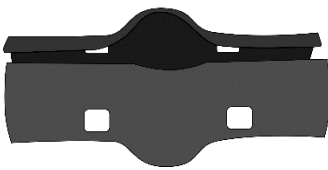
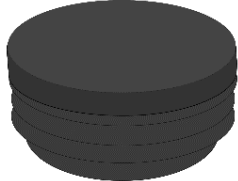

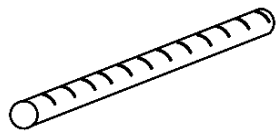


# Dog Fence Direct Burial Dual Leaf Driveway Gate Installation Instructions

**Note:** If a tension system was purchased, please refer to tensioning kit instructions **BEFORE** these instructions.

HARDWARE PARTS			
<p><b>A</b></p> <p>QTY: 2</p>  <p>2 1/2" Brace Band Black</p> <p>SKU: DE8084</p>	<p><b>B</b></p> <p>QTY: 2</p>  <p>1 5/8" Brace Cup Black</p> <p>SKU: DE8144</p>	<p><b>C</b></p> <p>QTY: 8</p>  <p>Corner Elbow Hex 1 3/8" Heavy Duty Black</p> <p>SKU: DE8112</p>	<p><b>D</b></p> <p>QTY: 8</p>  <p>End Clamp Black Galvanized Steel 1 3/8" x 1 3/8"</p> <p>SKU: DE8154</p>
<p><b>E</b></p> <p>QTY: 4</p>  <p>Turnbuckle Gate Tension Assembly</p> <p>SKU: DE8464</p>	<p><b>F</b></p> <p>QTY: 4</p>  <p>Male Hinge Black Galvanized Steel 1 5/8"</p> <p>SKU: DE8212</p>	<p><b>G</b></p> <p>QTY: 4</p>  <p>Female Hinge Black Galvanized Steel 1 3/8"</p> <p>SKU: DE2830</p>	<p><b>H</b></p> <p>QTY: 2</p>  <p>Fork Latch Assembly 1 5/8" Black</p> <p>SKU: DE8180</p>
<p><b>I</b></p> <p>QTY: 4</p>  <p>Monofilament Connector Clip</p> <p>SKU: DE2830</p>	<p><b>J</b></p> <p>QTY: 34</p>  <p>Self-Tapping Screw 3/4"</p> <p>SKU: DE9978-1</p>	<p><b>K</b></p> <p>QTY: 14</p>  <p>Carriage Bolt w/Washer &amp; Nut Hot Dip Galvanized - 5/16" x 2"</p> <p>SKU: DE8044</p>	<p><b>L</b></p> <p>QTY: 1</p>  <p>Drop Rod Hardware Box</p> <p>SKU: DE913702</p>
<p><b>M</b></p> <p>QTY: 4</p>  <p>1 3/8" x 1 3/8" Center Support Clamp</p> <p>SKU: DE8096</p>	<p><b>N</b></p> <p>QTY: 2</p>  <p>2 1/2" Black Vinyl Post Cap</p> <p>SKU: DE8081</p>	<p><b>O</b></p> <p>QTY: 1 pk</p>  <p>8" High Strength Nylon Self-Locking Ties – 100pk</p> <p>SKU: DE2854</p>	<p><b>P</b></p> <p>QTY: 4</p>  <p>3/8" x 6" Rebar</p> <p>SKU: DE9972</p>

## **Recommended Tools (not included)**

Power Drill with 5/16" Drill Bit

Socket Wrench 5/16" or Adjustable wrenches

Tape Measure

Level

Sledgehammer

Earth Auger/Digging Bar



# Dog Fence Dual Leaf Driveway Gate Installation Instructions

1. Layout your **FRAME POSTS (N)** where you would like your driveway gate to go on your fence line. Using the table below, measure out your gate distance between your post going from the **INSIDE** edge of one **FRAME POST (N)** to the **INSIDE** edge of the opposite **FRAME POST (N)**.

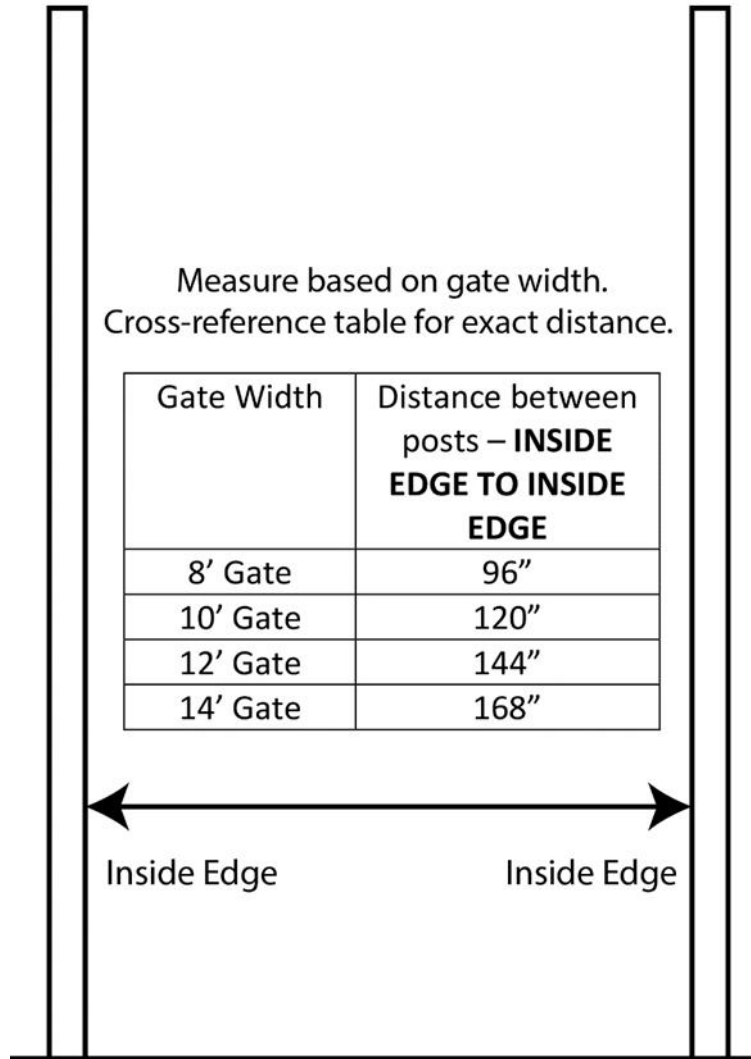
**Note:** It is **EXTREMELY** important to double check the measurement between the **FRAME POSTS (N)** before **STEP 3** as these posts will be set into concrete.

Gate Width	Distance between posts – <b>INSIDE EDGE TO INSIDE EDGE</b>
8' Gate	96"
10' Gate	120"
12' Gate	144"
14' Gate	168"

1.

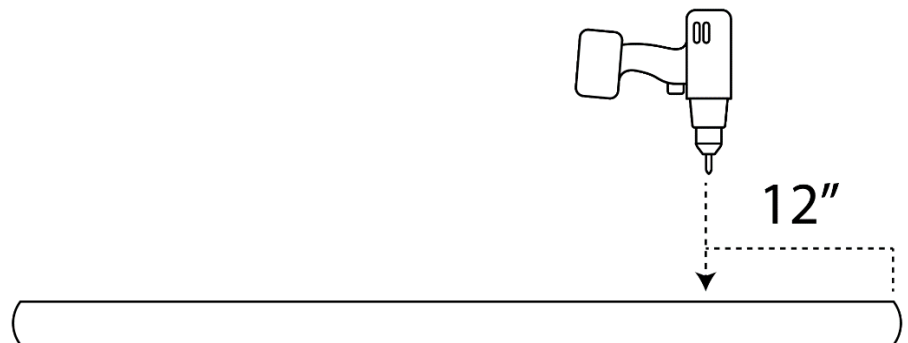
Measure based on gate width.  
Cross-reference table for exact distance.

Gate Width	Distance between posts – <b>INSIDE EDGE TO INSIDE EDGE</b>
8' Gate	96"
10' Gate	120"
12' Gate	144"
14' Gate	168"



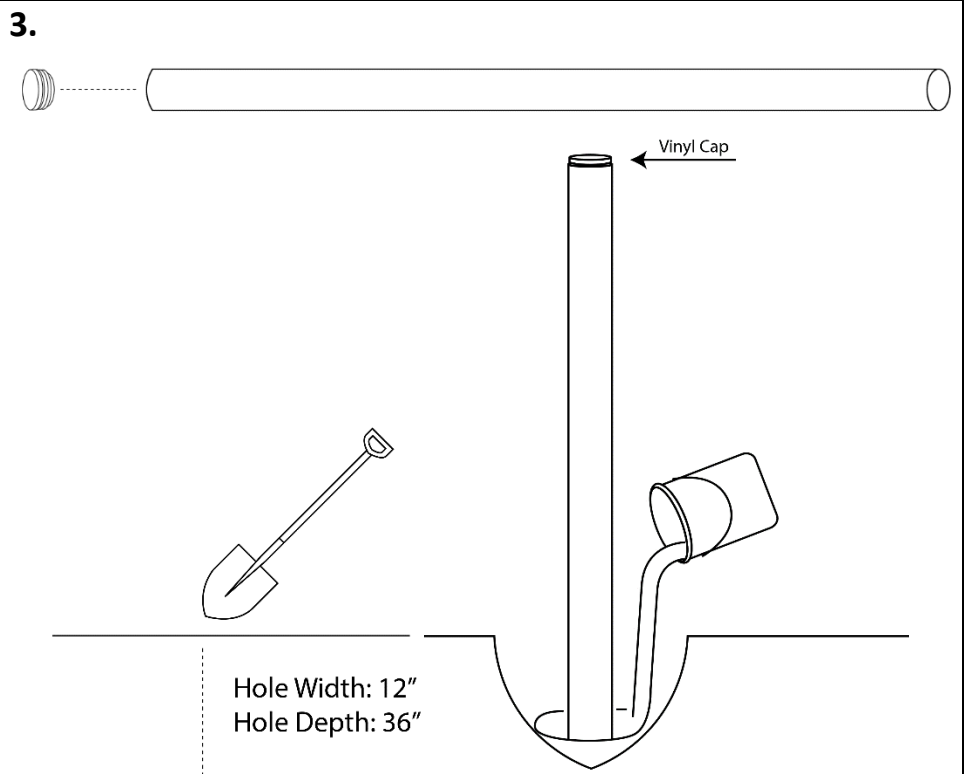
2. Measure 12" from the bottom of your **FRAME POSTS (N)** and drill a 3/8" hole. Insert the **REBAR (P)** into the hole. This helps prevent the **FRAME POSTS (N)** from rotating when it is setting in concrete (see **STEP 3**).

2.

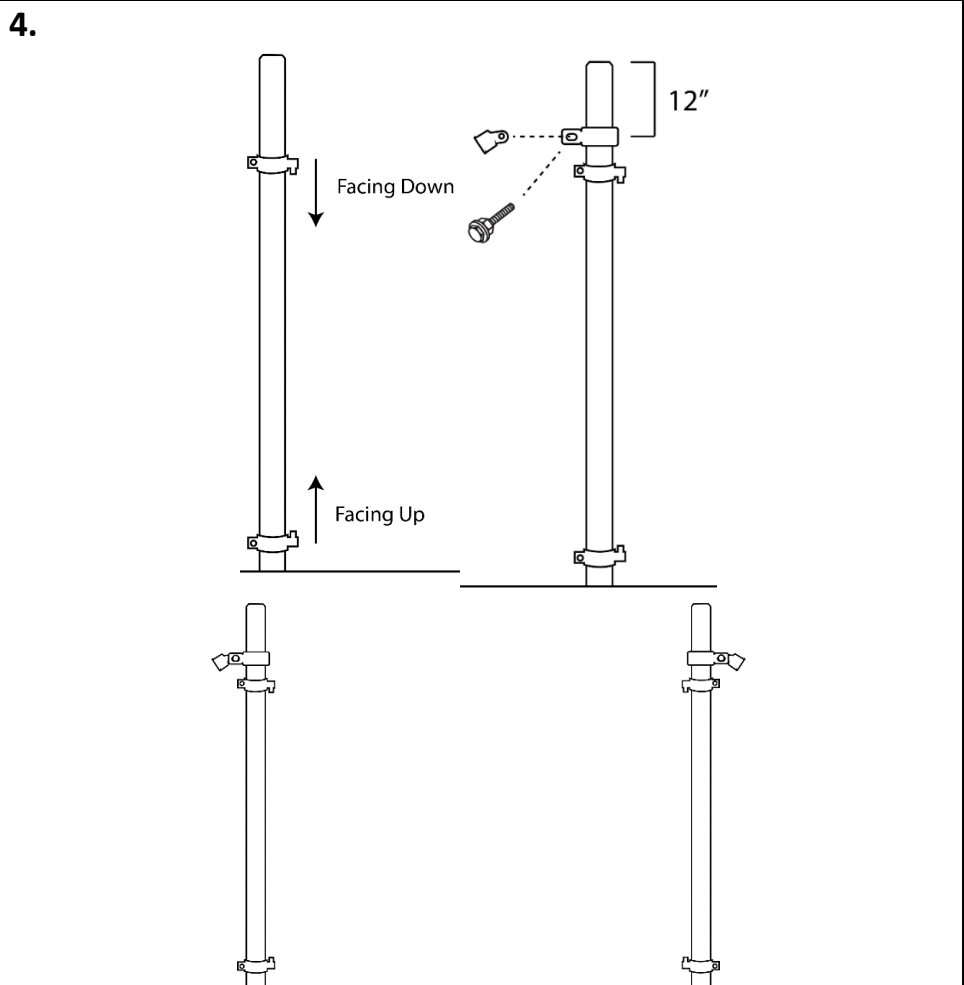


3. Place the **POST CAP (N)** into each **FRAME POST (N)**. Then using a shovel or post hole digger, create a hole for the **FRAME POSTS (N)**. Each hole should be **12" WIDE** and **36" DEEP**. Drop the **FRAME POSTS (N)**, open end down, into the hole and then set with concrete. Repeat for both **FRAME POSTS (N)**. Make sure to allow the concrete to set completely before proceeding to **STEP 3**.

**Note:** It is **HIGHLY** recommended to set your posts into concrete. Setting the posts in concrete will strengthen the overall fence system and increase the longevity of the fence. Alternatively, you can use expanding post foam or backfill with rocky dirt and tamp firmly.



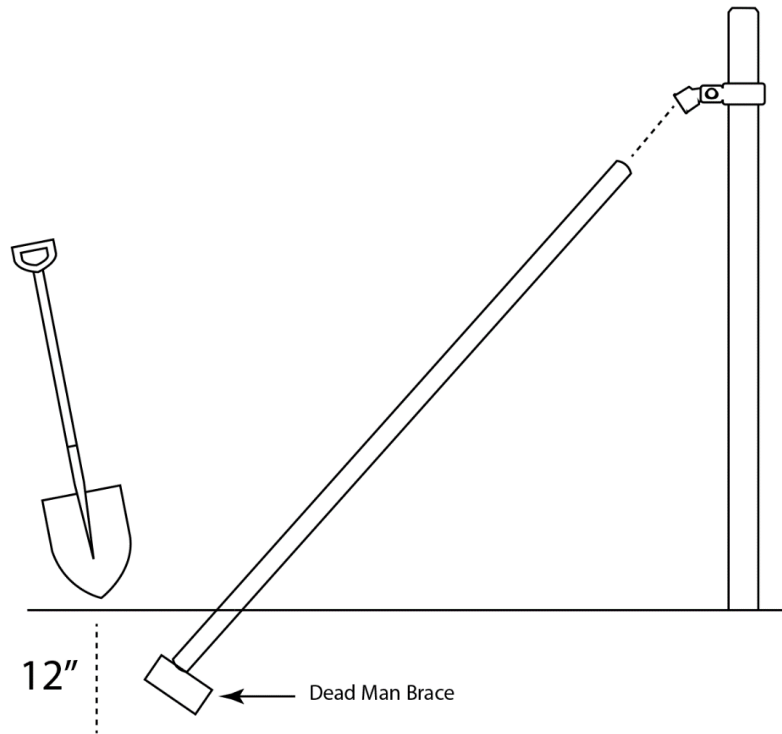
4. Slip **two (2) MALE HINGES (F)** over the **FRAME POST (N)**. The first, bottom **MALE HINGE (F)** should face **UP** and the second, top **MALE HINGE (F)** should face **DOWN**. Secure both **MALE HINGES (F)** loosely on the post. Next, slip **BRACE BAND (A)** and **BRACE CUP (B)** over the **FRAME POST (N)** and position them approximately 12" from the top of the **FRAME POST (N)**. When attaching the **BRACE CUP (B)** to the **BRACE BAND (A)**, position the cup so that the **BRACE POST (E)** will be on the **INSIDE** of the fence line. Do not fully tighten the bolt holding the **BRACE BAND AND CUP**. Repeat step for second **FRAME POST (N)**.



5. After the band is installed, place your **BRACE POST (E)** into the **BRACE CUP (B)** just inside the fence line. At the point where the post meets the ground, you will want to dig a hole approximately, 1' deep. Set the **BRACE POST (E)** into the hole and use a dead man brace to secure the post. Repeat step for second **BRACE POST (E)**.

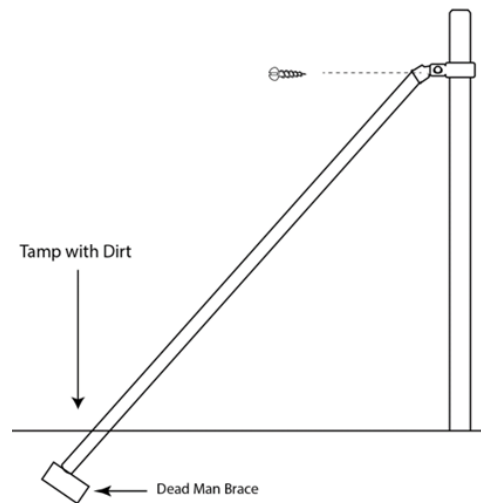
**Note:** A dead man brace is a brace put into the ground to hold the brace post in position. You can use a cinderblock or a large sturdy piece of wood as the dead man. Alternatively, you can cement the brace post if you choose.

5.

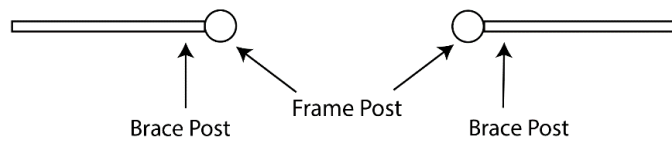


6. Once the dead man is in place, adjust your **BRACE POST (E)** so it rests tightly against the dead man. Fill the hole back up with dirt and tamp down. Secure the **BRACE POST (E)** by drilling a **SELF-TAPPING SCREW (J)** through the **BRACE CUP (B)** and **BRACE POST (E)**. Once secured, tighten the bolt on the brace band. Repeat step for second **BRACE POST (E)**.

6.



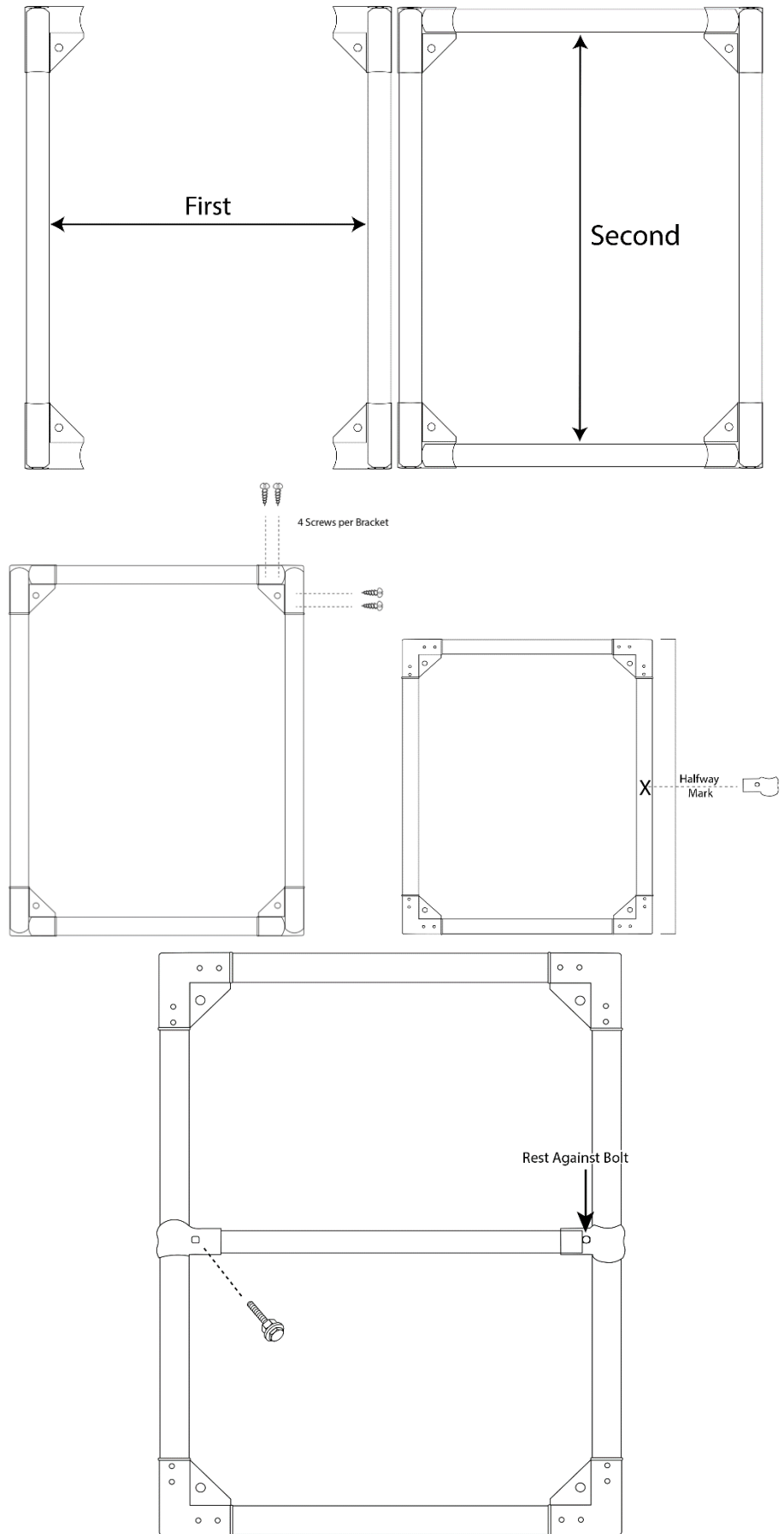
Birds Eye View



7. Insert **VERTICAL GATE DOOR POST (A)** into **CORNER ELBOW (C)**. Then slide in the **HORIZONTAL GATE DOOR POST (B)** into the **CORNER ELBOW (C)** so that it presses tightly against the **VERTICAL POST (A)**. Secure the **POSTS** inside the **CORNER ELBOWS (C)** using **four (4) SELF-TAPPING SCREWS (J)** per bracket. Locate the center of the **VERTICAL GATE DOOR POST (A)** and mark this location; this is where **HORIZONTAL CENTER BAR (C)** will be attached. Attach the **HORIZONTAL CENTER BAR (C)** on both sides of the **VERTICAL GATE DOOR POSTS (A)** with **two (2) END CLAMPS (D)**. Secure the **END CLAMPS (D)** with a **CARRIAGE BOLT (K)**.

**Note:** The **CARRIAGE BOLT (K)** that secures the **HORIZONTAL CENTER BAR (C)** **DOES NOT** go through the bar itself. The **HORIZONTAL CENTER BAR (C)** rests against the **CARRIAGE BOLT (K)** and secures the two pieces of the **END CLAMP (D)**.

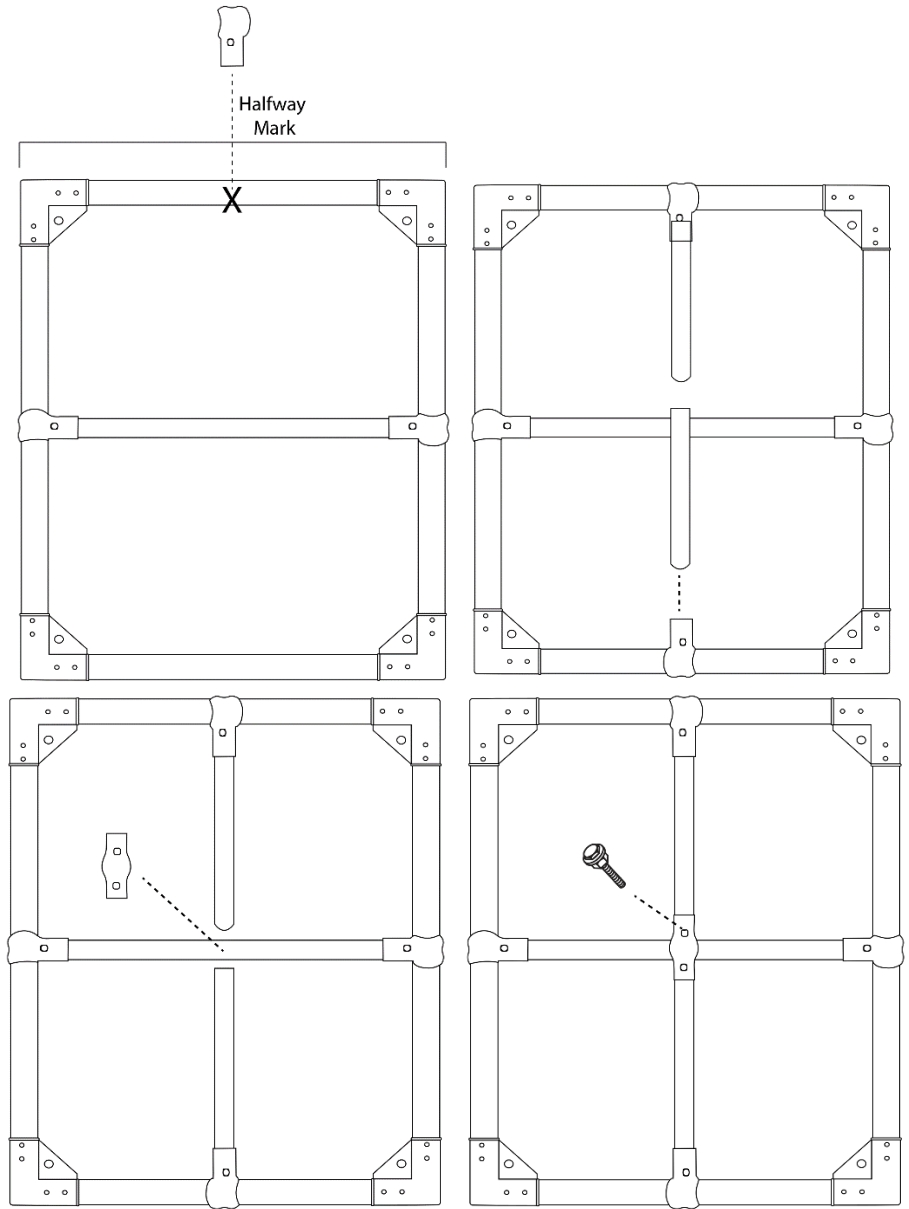
7.



8. Locate the center of **HORIZONTAL GATE DOOR POST (B)** and mark this location, this is where the **VERTICAL CENTER BARS (D)** will be attached. First, attach the remaining **END CLAMPS (D)** on the **HORIZONTAL GATE DOOR POST (B)** and secure with **CARRIAGE BOLTS (K)**. Then, Insert the **VERTICAL CENTER BARS (D)** into the **END CLAMPS (D)**, resting the bar against the **CARRIAGE BOLT (K)**. Finally, attach the **VERTICAL CENTER BARS (D)** onto the **HORIZONTAL CENTER BAR (C)** using the **CENTER SUPPORT CLAMP (M)** and secure the **SUPPORT CLAMP (M)** with **CARRIAGE BOLTS (K)**.

**Note:** The **CENTER CLAMP (M)** is placed **VERTICALLY** on the **HORIZONTAL CENTER BAR (C)**. Do not tighten bolts until everything is loosely assembled.

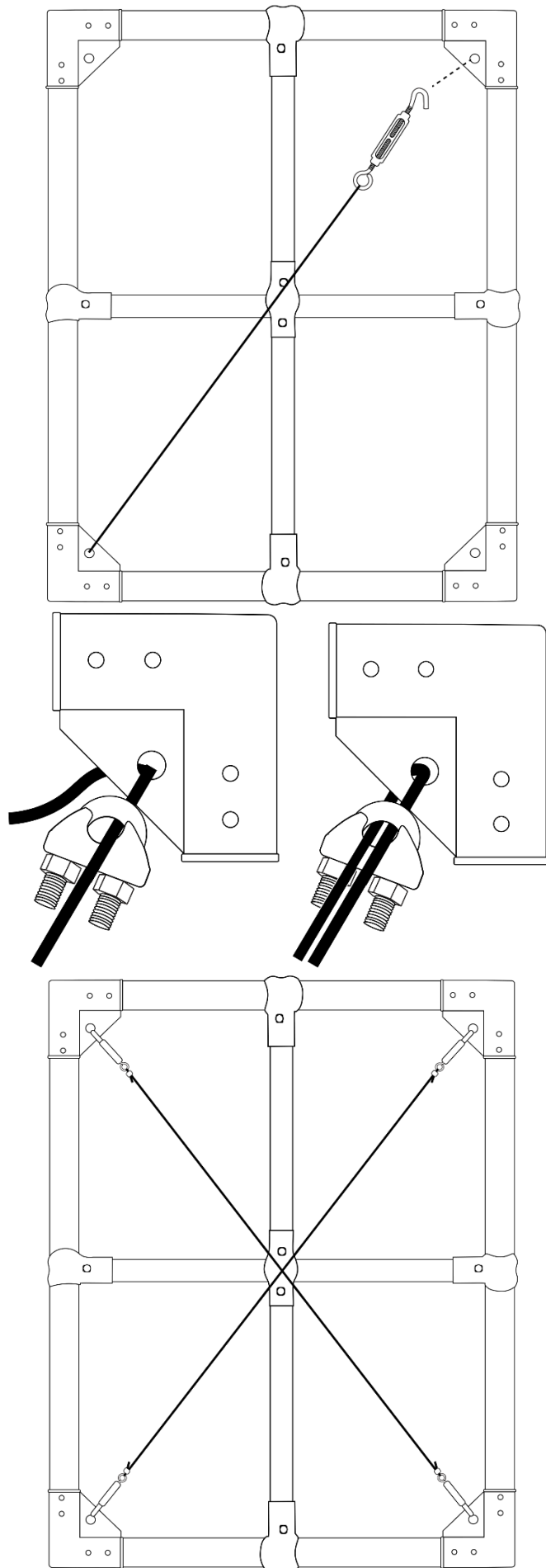
8.





9. Open the **TURNBUCKLE (E)** by twisting both ends. Place the hook end of one **TURNBUCKLE (E)** through the hole in one top **CORNER ELBOW (C)** and stretch the cable diagonally to the hole in the bottom **CORNER ELBOW (C)**. Pass the cable through the **CONNECTION CLIP (I)** and then through the hole in the **CORNER ELBOW (C)**. Pass the end of the cable through the **CONNECTION CLIP (I)** again. Position the **CONNECTION CLIP (I)** close to the **CORNER ELBOW (C)** and tighten using the small nuts. Repeat on the opposite side creating an "X" across the gate. Evenly tighten the **TURNBUCKLES (E)** on each side to keep the gate square.

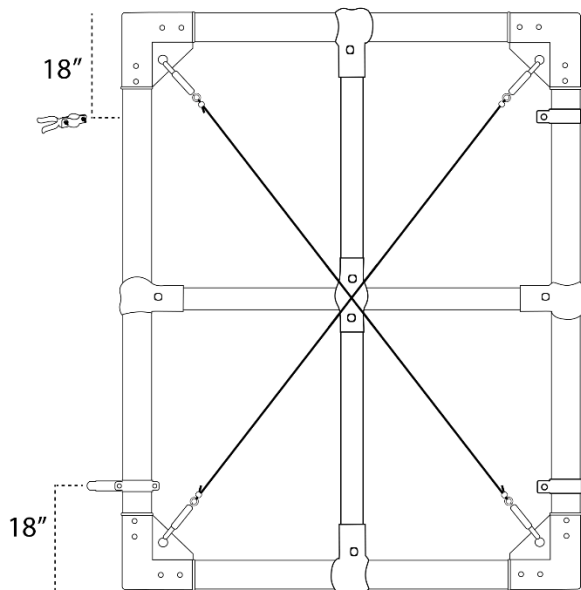
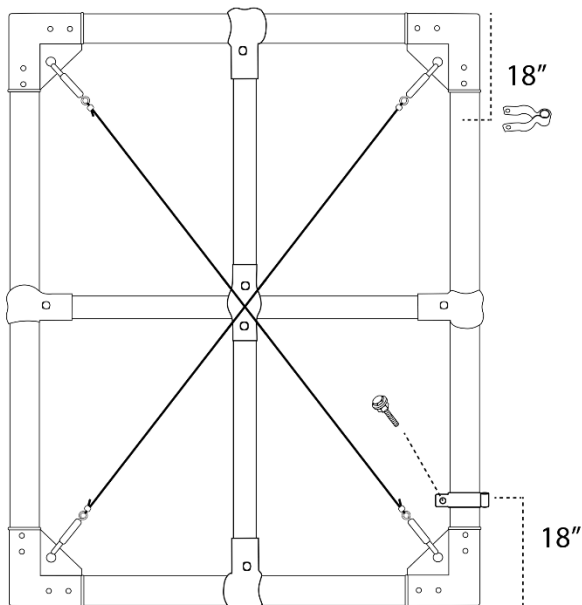
10.



10. On one side of the newly assembled gate door, measure **18"** from the **TOP** and **18"** from the **BOTTOM** of the door. Attach the **FEMALE HINGES (G)** at these marked points. On the opposite side of the gate door, attach the **FORK LATCHES (H)** at the same height as the **FEMALE HINGES (G)**; **18"** from the **TOP** and **18"** from the **BOTTOM**.

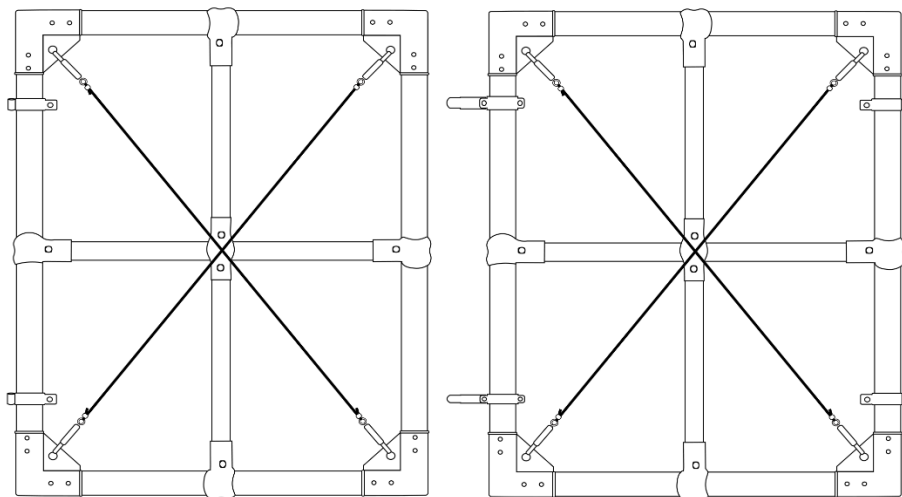
**Note:** Only one gate door will have the **FORK LATCHES (H)**.

**11.**



11. Repeat **STEPS 8-11** to build the **SECOND GATE DOOR**.

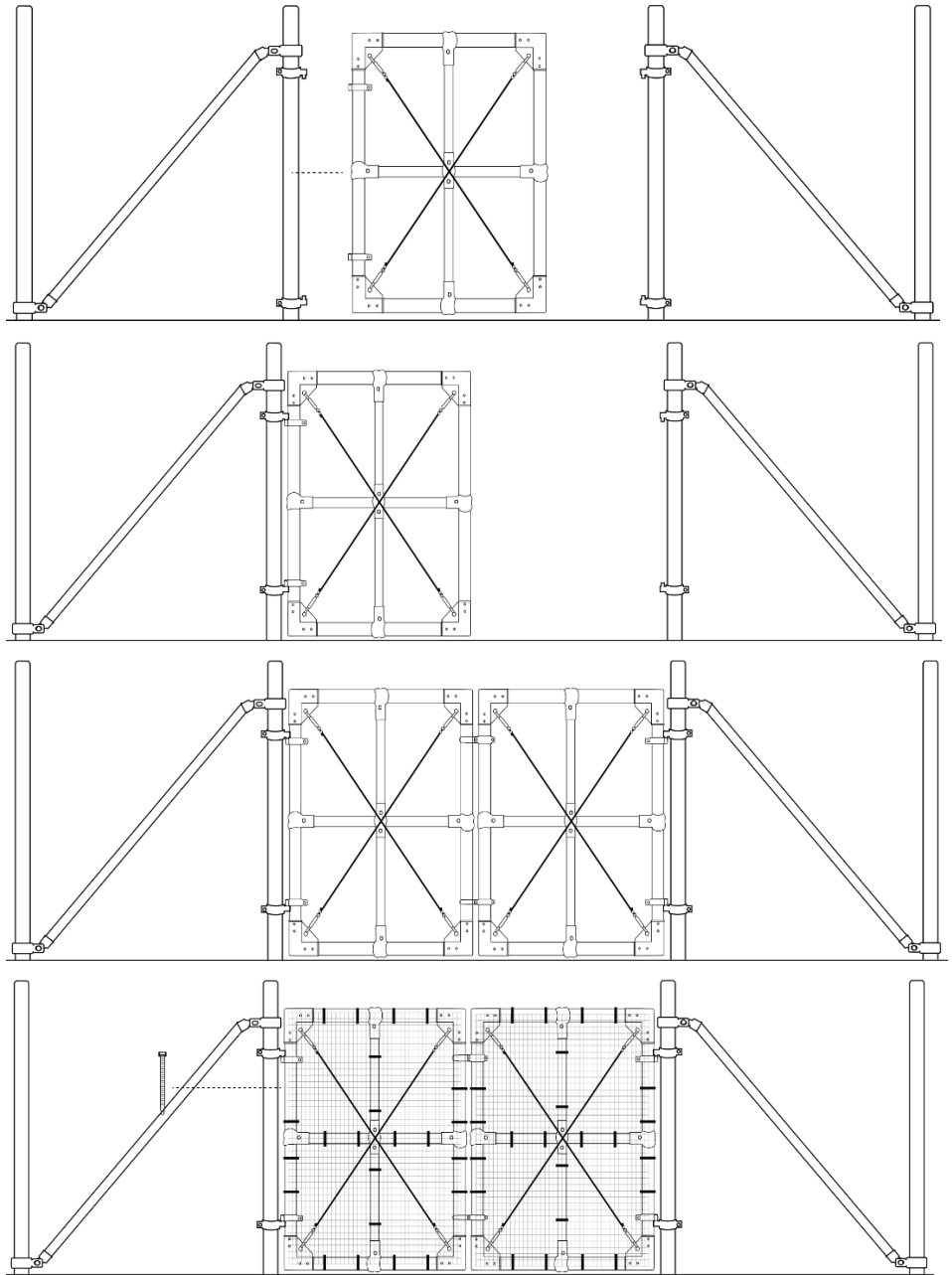
**12.**



12. Position one **GATE DOOR** on the **INSIDE** of the **FRAME POSTS (N)** at the desired height, then slide the **MALE HINGES (F)** into the **FEMALE HINGES (G)** to attach the gate door. Once positioned, you can tighten the bolts of the **MALE HINGES (F)**. Repeat with the second **GATE DOOR**. Then, cover the entire **GATE DOOR** with your fence mesh (**NOT INCLUDED**) so the mesh faces the outside edge of the fence line. Fasten the mesh to the **GATE DOOR** using **SELF-LOCKING TIES (O)**. Trim excess material as needed.

**Note:** We recommend attaching the mesh from left to right before attaching top and bottom. You do not need a tie for every square on the mesh. We recommend 1 tie for every 1' along the pipes of the gate door.

**13.**



13. Attach the **FEMALE HINGES** that comes with the **DROP ROD ASSEMBLY KIT (L)** on the gate door **WITHOUT** the gate latches. One of the **FEMALE HINGES** goes at the **bottom** of the door and the second approximately **12"** from the bottom. Drive the **DROP ROD RECEPTACLE (L)** into the ground beneath the hinges until flush with the ground. Insert the **DROP ROD (L)** through the **FEMALE HINGES** and into the **RECEPTACLE (L)**.

**14.**

