





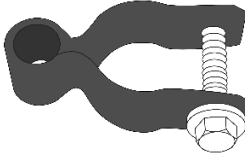

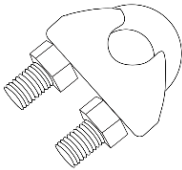
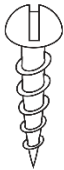



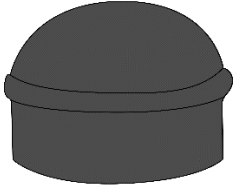




# Dog Fence Top Rail Access Gate Installation Instructions

## HARDWARE PARTS

<p><b>A</b></p> <p><b>QTY: 6</b></p>  <p>1 5/8" Brace Band Black</p> <p>SKU: DE8080</p>	<p><b>B</b></p>  <p><b>B1</b> 1 3/8" Brace Cup QTY: 2 <b>B2</b> 1 5/8" Brace Cup QTY: 4</p>	<p><b>C</b></p> <p><b>QTY: 4</b></p>  <p>Corner Elbow Hex 1 3/8" Heavy Duty Black</p> <p>SKU: DE8112</p>	<p><b>D</b></p> <p><b>QTY: 2</b></p>  <p>End Clamp Black Galvanized Steel 1 3/8" x 1 3/8"</p> <p>SKU: DE8154</p>
<p><b>E</b></p> <p><b>QTY: 2</b></p>  <p>Turnbuckle Gate Tension Assembly</p> <p>SKU: DE8464</p>	<p><b>F</b></p> <p><b>QTY: 2</b></p>  <p>Male Hinge Black Galvanized Steel 1 5/8"</p> <p>SKU: DE8212</p>	<p><b>G</b></p> <p><b>QTY: 2</b></p>  <p>Female Hinge Black Galvanized Steel 1 3/8"</p> <p>SKU: DE2830</p>	<p><b>H</b></p> <p><b>QTY: 2</b></p>  <p>Fork Latch Assembly 1 5/8" Black</p> <p>SKU: DE8180</p>
<p><b>I</b></p> <p><b>QTY: 2</b></p>  <p>Monofilament Connector Clip</p> <p>SKU: DE2830</p>	<p><b>J</b></p> <p><b>QTY: 24</b></p>  <p>Self-Tapping Screw 3/4"</p> <p>SKU: DE9978-1</p>	<p><b>K</b></p> <p><b>QTY: 2</b></p>  <p>Carriage Bolt w/Washer &amp; Nut Hot Dip Galvanized - 5/16" x 2"</p> <p>SKU: DE8044</p>	<p><b>L</b></p> <p><b>QTY: 4</b></p>  <p>Carriage Bolt w/Washer &amp; Nut Hot Dip Galvanized - 3/8" x 2"</p> <p>SKU: DE8054</p>
<p><b>M</b></p> <p><b>QTY: 6</b></p>  <p>Carriage Bolt w/Washer &amp; Nut Hot Dip Galvanized - 5/16" x 1 1/2"</p> <p>SKU: DE8042</p>	<p><b>N</b></p> <p><b>QTY: 2</b></p>  <p>1 5/8" Black Dome Post Cap</p> <p>SKU: DE2886-1</p>	<p><b>O</b></p> <p><b>QTY: 1 pk</b></p>  <p>8" High Strength Nylon Self-Locking Ties – 50pk</p> <p>SKU: DE2853</p>	<p><b>P</b></p> <p><b>QTY: 4</b></p>  <p>Black Ground Sleeve for 1 5/8" Post</p> <p>SKU: DE8196</p>

**Q**

**QTY: 2**



1 5/8" Loop Caps with 1 3/8"  
Loops

SKU: DE8089

## **Recommended Tools (not included)**

Power Drill with 5/16" Drill Bit

Socket Wrench 5/16" or Adjustable wrenches

Tape Measure

Level

Sledgehammer

Earth Auger/Digging Bar



# Dog Fence Top Rail Access Gate Installation Instructions

1. Layout **two (2) GROUND SLEEVE (P)** where you would like your access gate to go on your fence line. Using the table below, measure out your gate distance between your post going from the **INSIDE** edge of one **GROUND SLEEVE (P)** to the **INSIDE** edge of the opposite **GROUND SLEEVE (P)**.

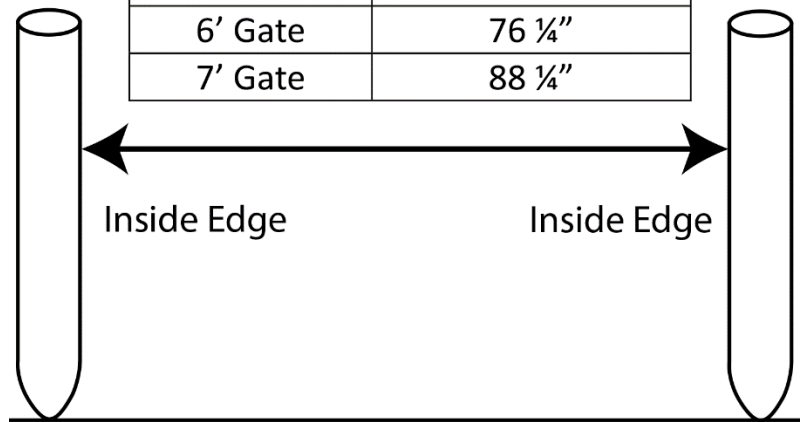
**Note:** It is **EXTREMELY** important to double check the measurement between the **SLEEVES (P)** before proceeding with the next step as it can be difficult to remove the sleeves once in the ground.

Gate Width	Distance between sleeves– <b>INSIDE EDGE TO INSIDE EDGE</b>
3' Gate	40 ¼"
4' Gate	52 ¼"
5' Gate	64 ¼"
6' Gate	76 ¼"
7' Gate	88 ¼"

1.

Measure based on gate width.  
Cross-reference table for exact distance.

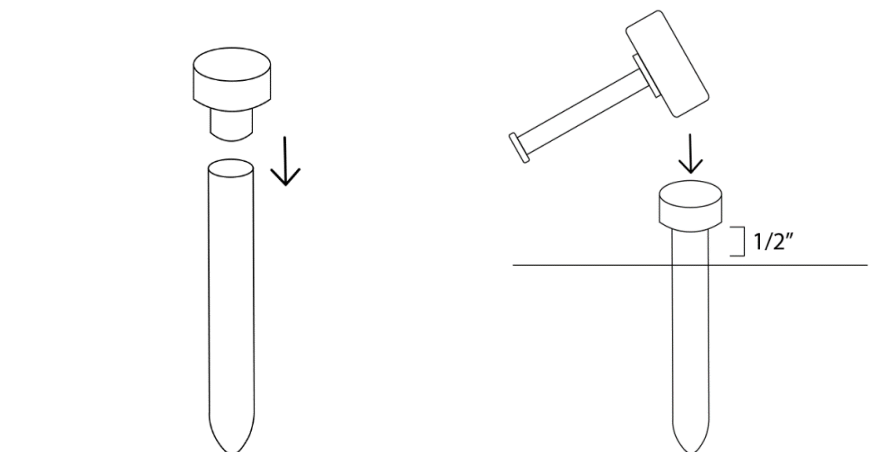
Gate Width	Distance between sleeves– <b>INSIDE EDGE TO INSIDE EDGE</b>
3' Gate	40 ¼"
4' Gate	52 ¼"
5' Gate	64 ¼"
6' Gate	76 ¼"
7' Gate	88 ¼"



2. Using a **DRIVE CAP (Sold Separately; SKU: DE2812)** and a sledgehammer, drive the **GROUND SLEEVES (P)** into the ground where previously measured, leaving ½" above ground to keep out debris and allow for securing the post. Care should be taken to ensure that the sleeves are as straight as possible.

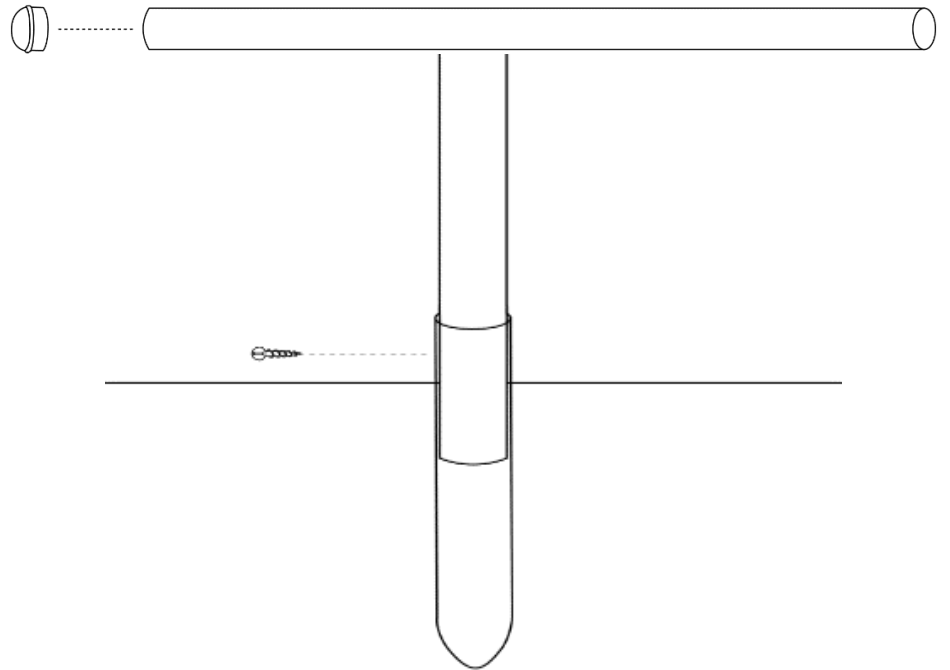
**Note:** On hard ground it may be necessary to use an **EARTH AUGER (Sold Separately; SKU: DE8189)** or **DIGGING BAR** to make a hole before driving the ground sleeves in.

2.



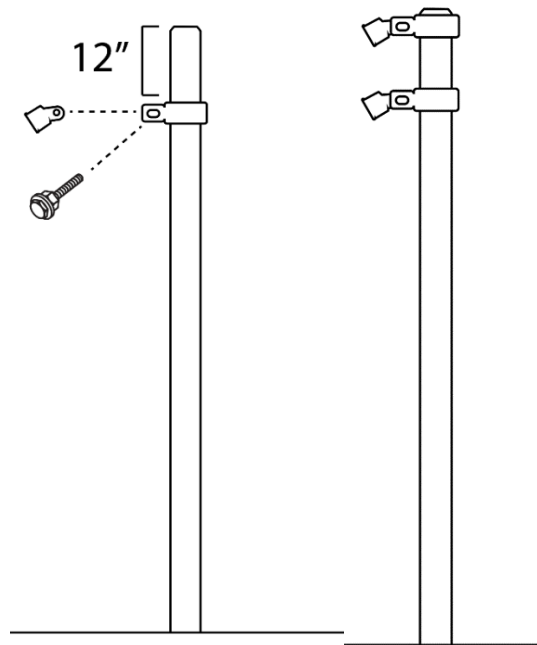
3. Insert the **DOME CAPS (N)** on the top of each **FRAME POST (N)** before sliding into the **GROUND SLEEVES (P)**. Lock posts into place by screwing through the sleeve and into the post using a **SELF-TAPPING SCREW (J)**.

3.



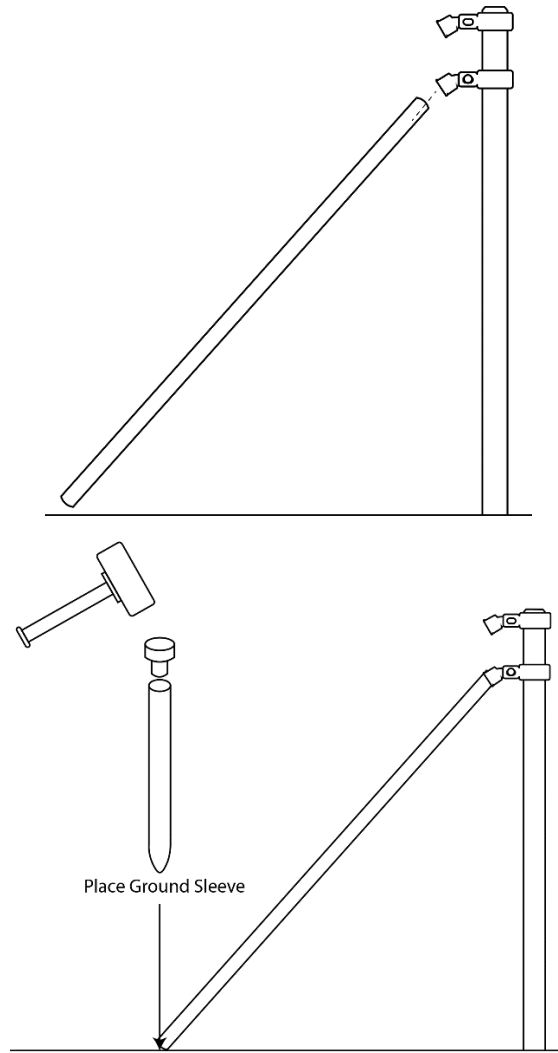
4. Slip **BRACE BAND (A)** and **BRACE CUP (B)** over the **FRAME POST (N)** and position them approximately 12" from the top of the **FRAME POST (N)**. When attaching the **BRACE CUP (B)** to the **BRACE BAND (A)**, position the cup so that the **BRACE POST (E)** will be **in line** with the fence line. Use **CARRIAGE BOLT (M)** to hold the **BRACE BAND (B)** and **BRACE CUP (A)** in position. Do not fully tighten. Next, Attach one (1) **BRACE BAND (B)** and **BRACE CUP (A)** using **CARRIAGE BOLT (M)** to the top of the **END POST (E)**. This cup is used to terminate top rails at the gate. See **TOP RAIL INSTRUCTIONS** for more details. Repeat this step for your second **FRAME POST (N)**.

4.



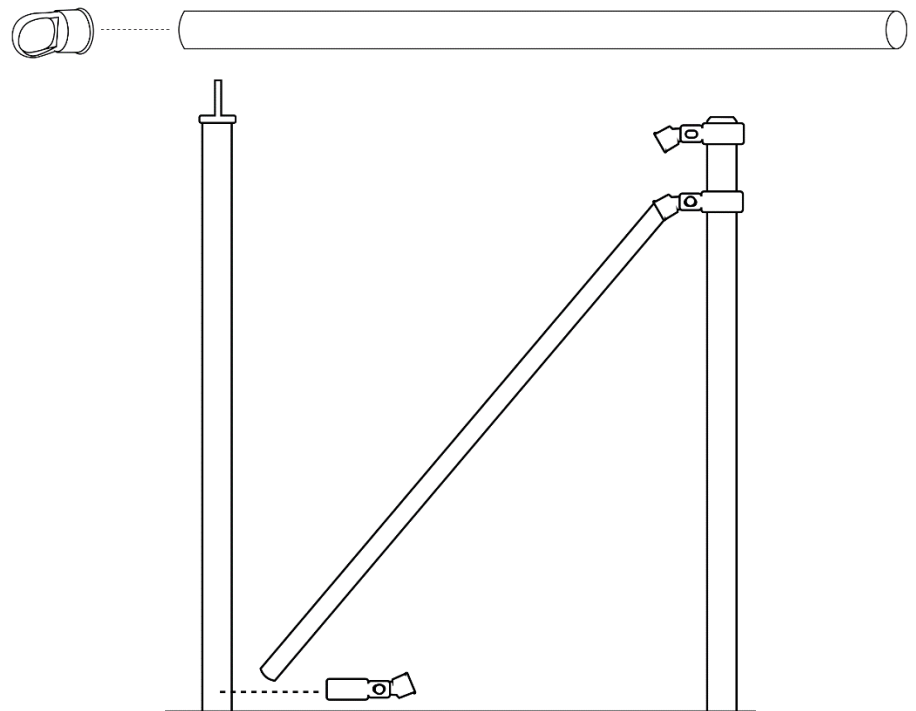
5. After the bands are installed, place your **BRACE POST (E)** into the lower **BRACE CUP (B)** in line with the fence line. At the point where the post meets the ground, is where the **GROUND SLEEVE (P)** for your **LINE POST (N)** will need to go. See **STEP 2**, to drive the **GROUND SLEEVE (P)** in at this point.

5.



6. Once the **GROUND SLEEVE (P)** is in place, insert the **LOOP CAPS (Q)** onto the **LINE POSTS (N)** and, see **STEP 3** for inserting the **LINE POST (N)** into the **GROUND SLEEVE (P)**. Attach a **BRACE BAND (A)** and **BRACE CUP (B)**, see **STEP 4**, to the **BOTTOM** of the **LINE POST (N)**.

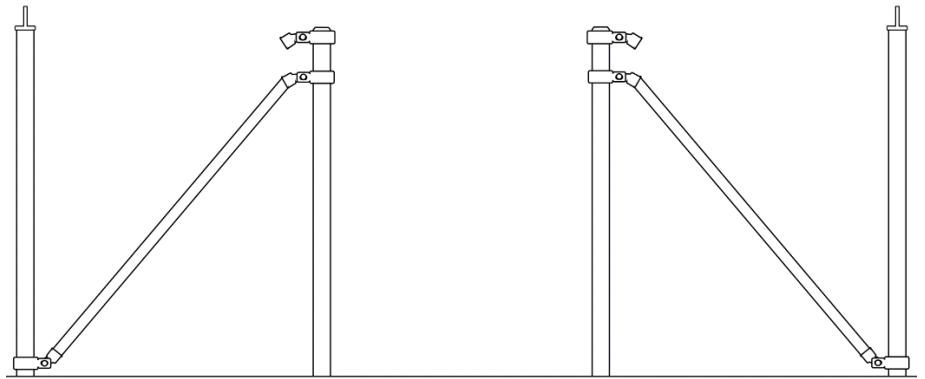
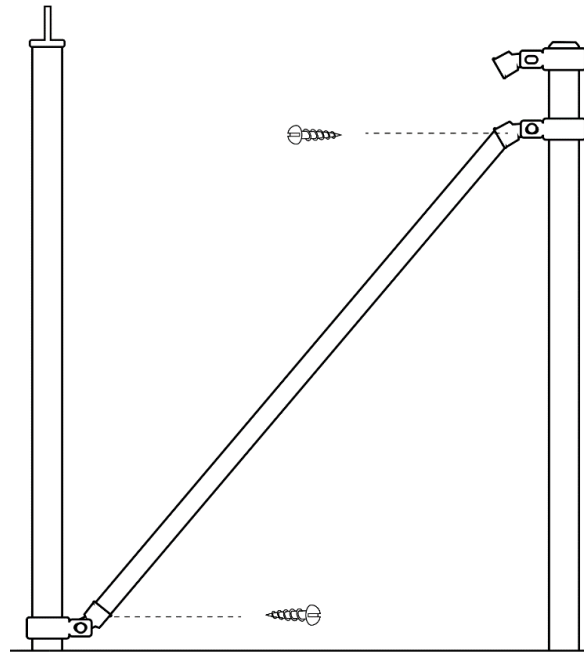
6.



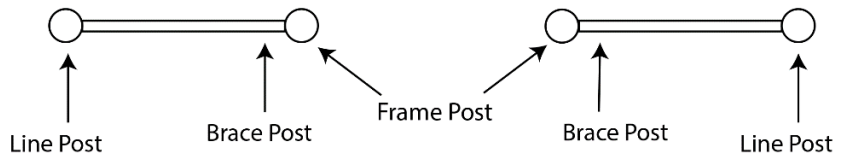
7. Insert the **BRACE POST (E)** into the bottom **BRACE CUP (B)** of the **LINE POST (N)**. Secure the **BRACE POST (E)** by drilling a **SELF-TAPPING SCREW (J)** through both **BRACE CUPS (B)** and **BRACE POST (E)**. Once secured, tighten the **CARRIAGE BOLT (M)** on both **BRACE BANDS (A)**. Repeat steps 5-6 for second **BRACE POST (E)** and **LINE POST (N)**.

**Note:** Based on the height of your system, you will have to adjust the bottom **BRACE BAND AND CUP** to account for the angle of the **BRACE POST (E)**.

7.

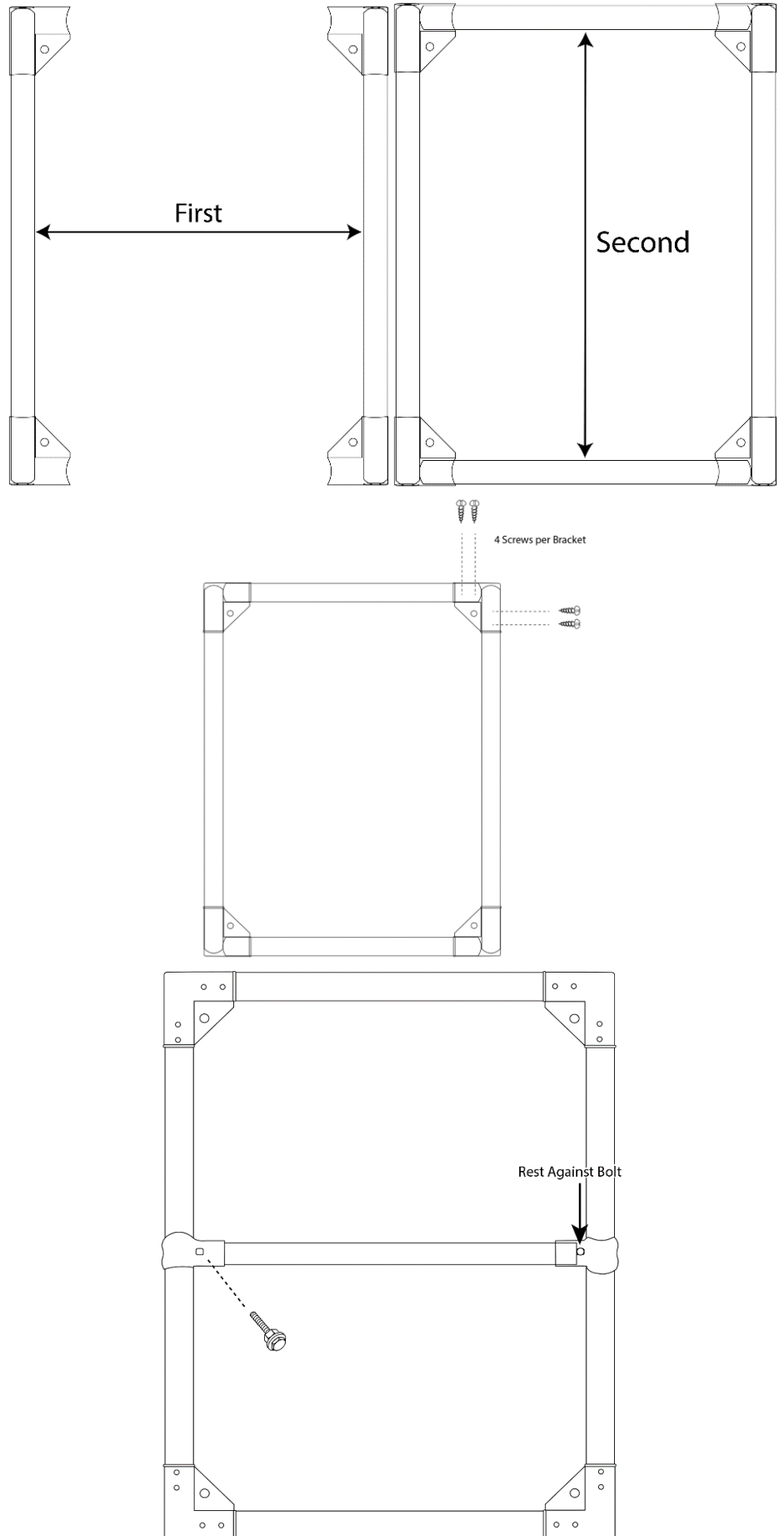


Birds Eye View



8. Insert **VERTICAL GATE DOOR POST (B)** into **CORNER ELBOW (C)**. Then slide in the **HORIZONTAL GATE DOOR POST (C)** into the **CORNER ELBOW (C)** so that it presses tightly against the **VERTICAL POST (B)**. Secure the **POSTS** inside the **CORNER ELBOWS (C)** using **SELF-TAPPING SCREWS (J)**. Finally, attach the **CENTER BAR (D)** on both sides of the **VERTICAL GATE POSTS (B)** with an **END CLAMP (D)** on either end. Secure the **END CLAMP (D)** in place with a **CARRIAGE BOLT (K)** on the **CENTER** of each **VERTICAL GATE POST (B)**.

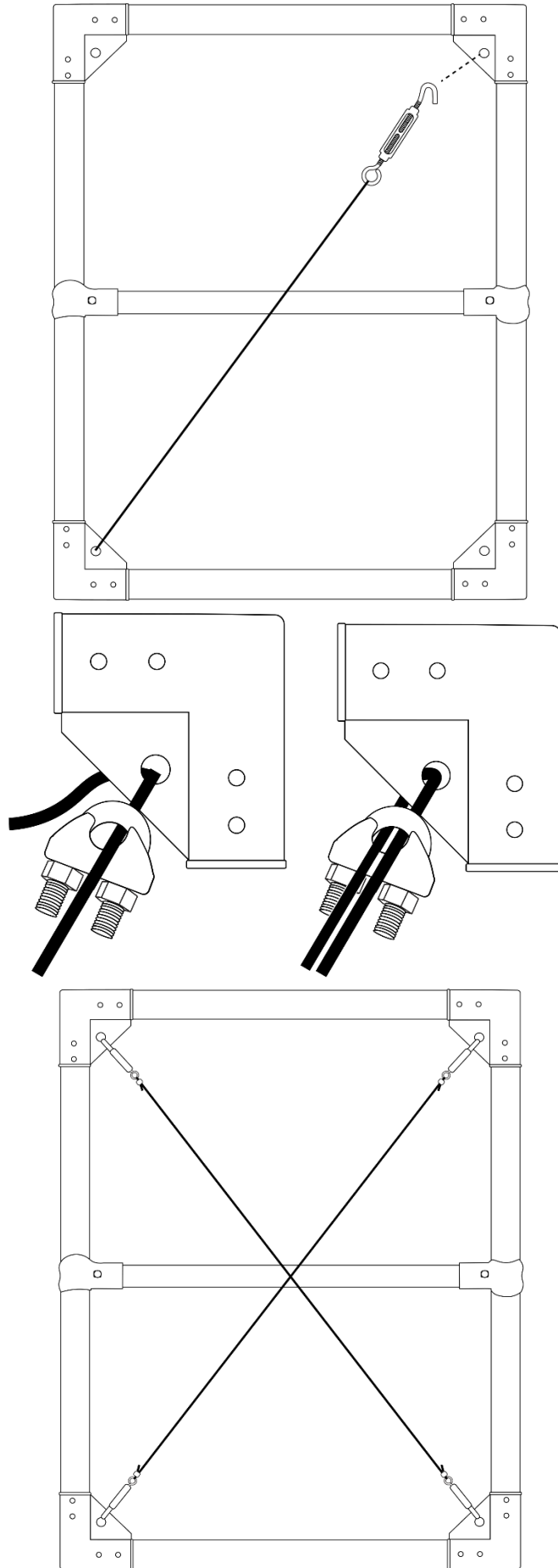
8.





9. Open the **TURNBUCKLE (E)** by twisting both ends. Place the hook end of one **TURNBUCKLE (E)** through the hole in one top **CORNER ELBOW (C)** and stretch the cable diagonally to the hole in the bottom **CORNER ELBOW (C)**. Pass the cable through the **CONNECTION CLIP (I)** and then through the hole in the **CORNER ELBOW (C)**. Pass the end of the cable through the **CONNECTION CLIP (I)** again. Position the **CONNECTION CLIP (I)** close to the **CORNER ELBOW (C)** and tighten using the small nuts. Repeat on the opposite side creating an "X" across the gate. Evenly tighten the **TURNBUCKLES (E)** on each side to keep the gate square.

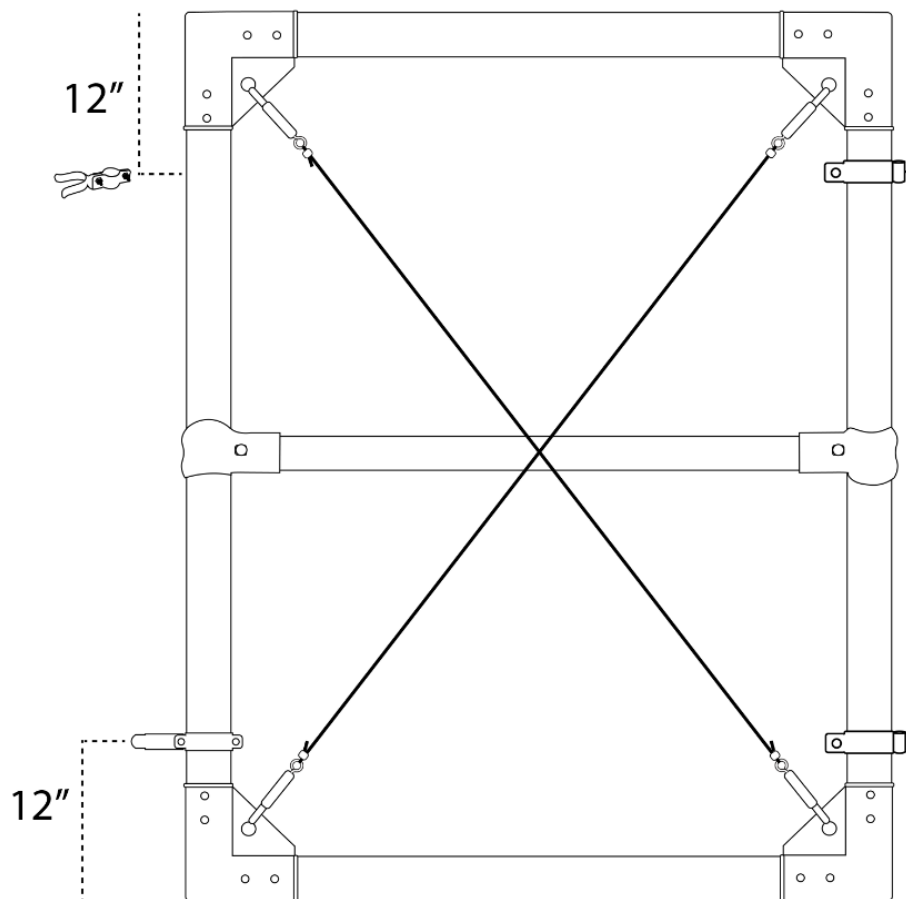
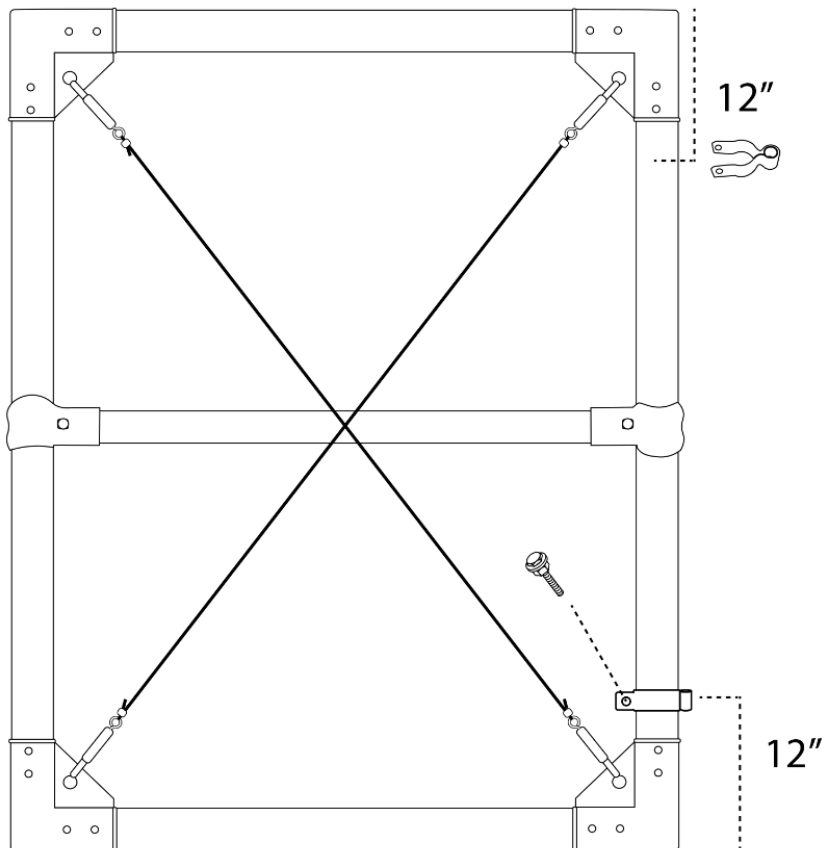
9.



10. On one side of the newly assembled gate door, measure **12"** from the **TOP** and **12"** from the **BOTTOM** of the door. Attached the **FEMALE HINGE (G)** at these marked points with a **CARRIAGE BOLT (L)**. On the opposite side of the gate door, attach the **FORK LATCH (H)** at the same height as the **FEMALE HINGES (G)**; **12"** from the **TOP** and **12"** from the **BOTTOM**.

**Note:** You can attach the hinges and latches to either side of the door frame to accommodate which way it will open in the system.

**10.**



11. Attach the **MALE HINGES (F)** to one side of the **FRAME POST (N)** and secure them with a **CARRIAGE BOLT (L)**. Do not tighten the bolts completely. Position the **GATE DOOR** on the **INSIDE** of the **FRAME POSTS (N)** at the desired height, then slide the **MALE HINGES (F)** up into the **FEMALE HINGES (G)** to attach the gate. Once positioned, you can tighten the **CARRIAGE BOLTS (L)** of the **MALE HINGES (F)**. Finally, cover the entire **GATE DOOR** with your fence mesh (**NOT INCLUDED**) and fasten the mesh to the **GATE DOOR** using **SELF-LOCKING TIES (O)**. Trim excess material as needed.

**Note:** You do not need a tie for every square on the mesh. We recommend 1 tie for every 1' along the pipe of the gate door.

**11.**

