


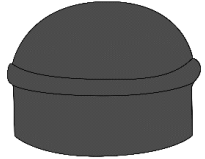



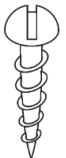


Dog Fence Sleeved Corner Post Installation Instructions

Note: If a tension system was purchased, please refer to tensioning kit instructions **BEFORE** these instructions.

HARDWARE PARTS			
A QTY: 8  1 5/8" Brace Cup Black SKU: DE8144	B QTY: 8  1 5/8" Brace Band Black SKU: DE8080	C QTY: 8  Carriage Bolt w/Washer & Nut Hot Dip Galvanized - 5/16" x 1 1/2" SKU: DE8042	D QTY: 6  1 5/8" Black Dome Post Cap SKU: DE2886-1
E QTY: 6  17 Gauge 1 5/8" Black Powder Coated Galvanized Pipe (See below for measurements)	F QTY: 4  17 Gauge 1 5/8" Black Powder Coated Galvanized Pipe (See below for measurements)	G QTY: 6  Black Ground Sleeve for 1 5/8" Post SKU: DE8196	H QTY: 14  Self-Tapping Screw 3/4" SKU: DE9978-1
Recommended Tools (not included) Power Drill with 5/16" Drill Bit Socket Wrench 5/16" or Adjustable wrenches Sledgehammer Earth Auger/Digging Bar			

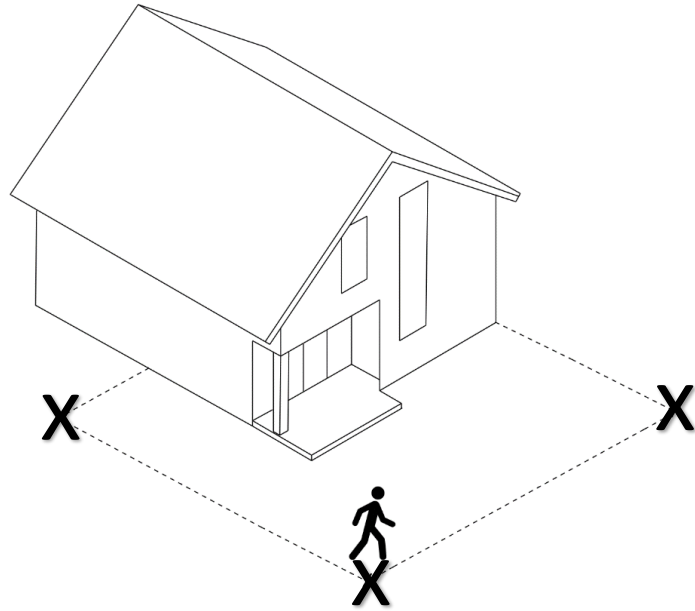
Pipes Part List						
	6' Corner			5' Corner		
	Qty	Pipe Measurement	SKU	Qty	Pipe Measurement	SKU
Corner/Line Posts (E)	6	17 Gauge Black Powder Coated Galvanized Steel Pipe 1 5/8" x 84"	DE8358-084	6	17 Gauge Black Powder Coated Galvanized Steel Pipe 1 5/8" x 72"	DE8358-072
Brace Posts (F)	4	17 Gauge Black Powder Coated Galvanized Steel Pipe 1 5/8" x 96"	DE8358-096	4	17 Gauge Black Powder Coated Galvanized Steel Pipe 1 5/8" x 96"	DE8358-096
	4' Corner			3' Corner		
	Qty	Pipe Measurement	SKU	Qty	Pipe Measurement	SKU
Corner/Line Posts (E)	6	17 Gauge Black Powder Coated Galvanized Steel Pipe 1 5/8" x 60"	DE8358-060	6	17 Gauge Black Powder Coated Galvanized Steel Pipe 1 5/8" x 48"	DE8358-048
Brace Posts (F)	4	17 Gauge Black Powder Coated Galvanized Steel Pipe 1 5/8" x 96"	DE8358-096	4	17 Gauge Black Powder Coated Galvanized Steel Pipe 1 5/8" x 96"	DE8358-096

Dog Fence Sleeved Corner Post Installation Instructions

1. Lay out your fence design, taking care to note where your corners are going to be placed within the system.

Note: Corners should be placed anywhere the fence is turning more than 45-degrees.

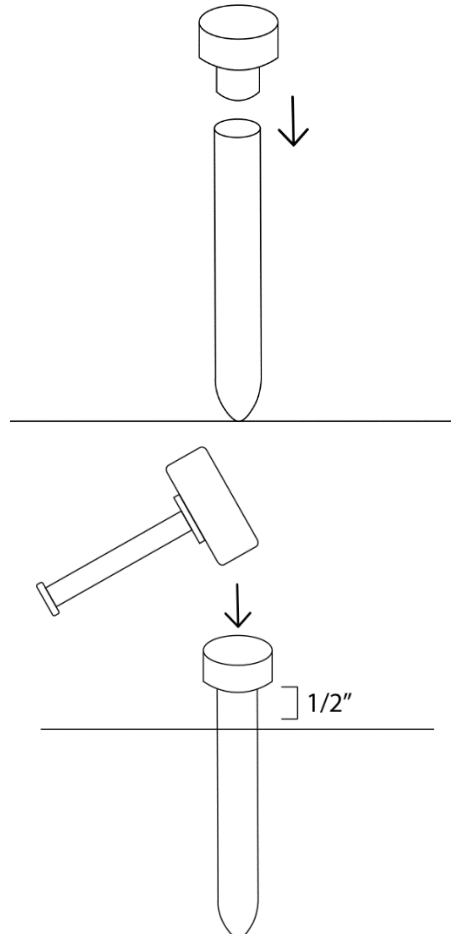
1.



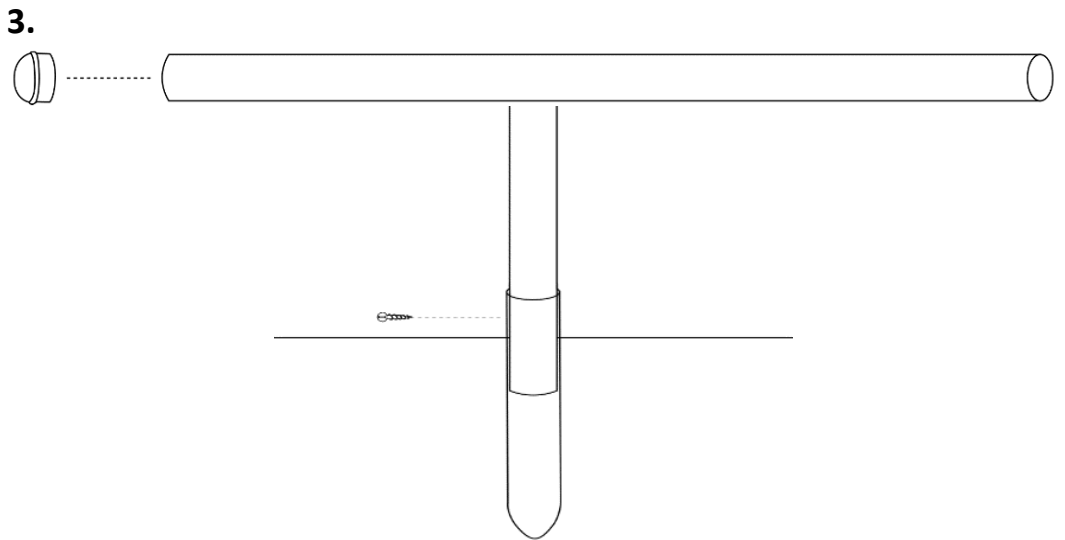
2. Using a **DRIVE CAP (Sold Separately; SKU: DE2812)** and a sledgehammer, drive the **GROUND SLEEVES (G)** into the ground leaving $\frac{1}{2}$ " above ground to keep out debris and allow for securing the post. Care should be taken to ensure that the sleeves are as straight as possible.

Note: On hard ground it may be necessary to use an **EARTH AUGER (Sold Separately; SKU: DE8189)** or **DIGGING BAR** to make a hole before driving the ground sleeves in.

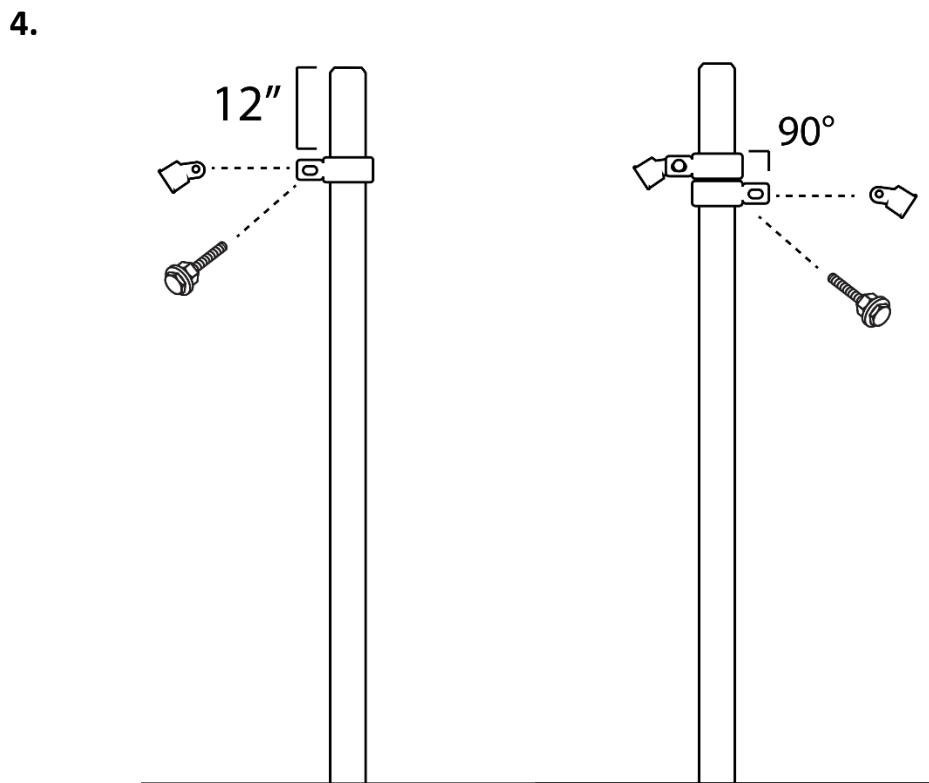
2.



3. Insert the **DOME CAP (D)** on the top of **CORNER AND LINE POSTS (E)** before sliding into the **GROUND SLEEVES (G)**. Lock posts into place by screwing through the sleeve and into the post using a **SELF-TAPPING SCREW (H)**.

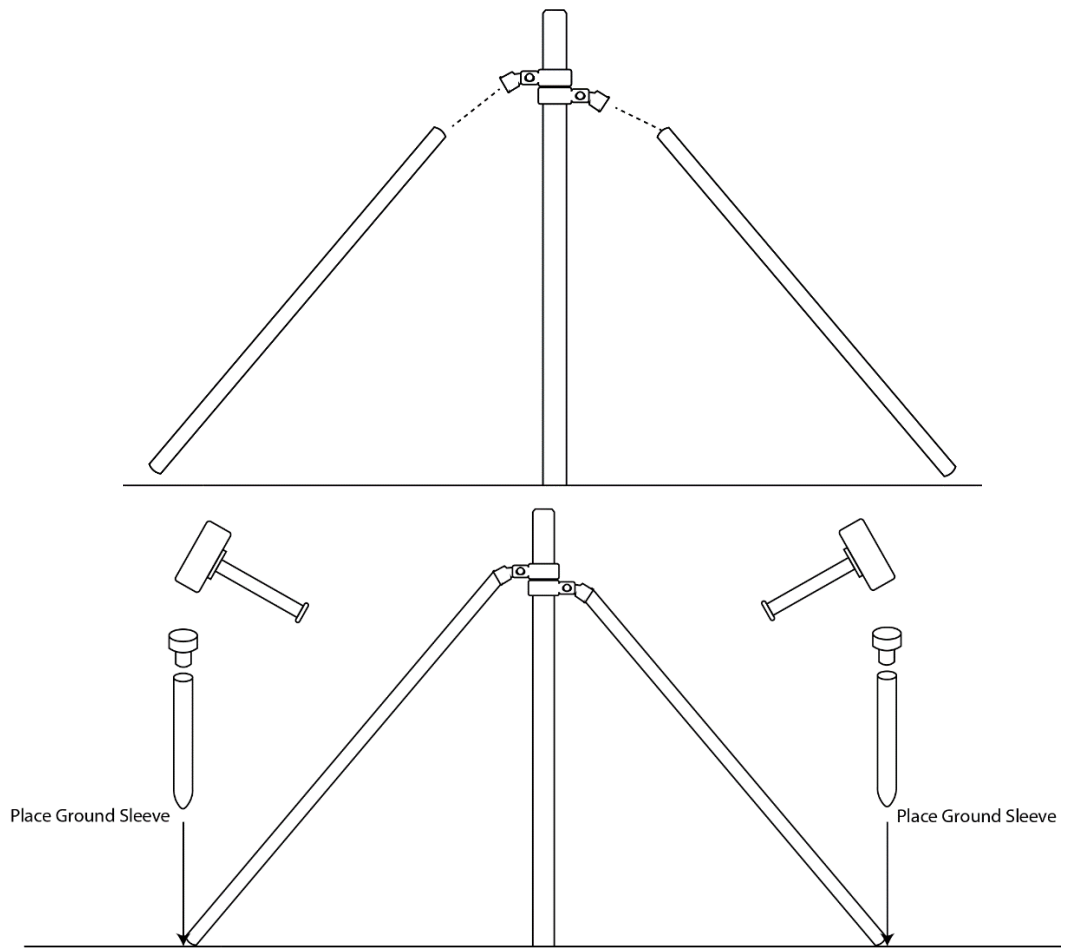


4. Slip **BRACE BAND (B)** and **BRACE CUP (A)** over the **CORNER POST (E)** and position them approximately 12" from the top of the **CORNER POST (E)**. When attaching the **BRACE CUP (A)** to the **BRACE BAND (B)**, position the cup so that the **BRACE POST (F)** will be on the **INSIDE** of the fence line. Use **CARRIAGE BOLT (C)** to hold the **BRACE BAND (B)** and **BRACE CUP (A)** in position. Do not fully tighten. After installing the first band, install the second band directly above first at a 90-degree angle to the first brace cup.



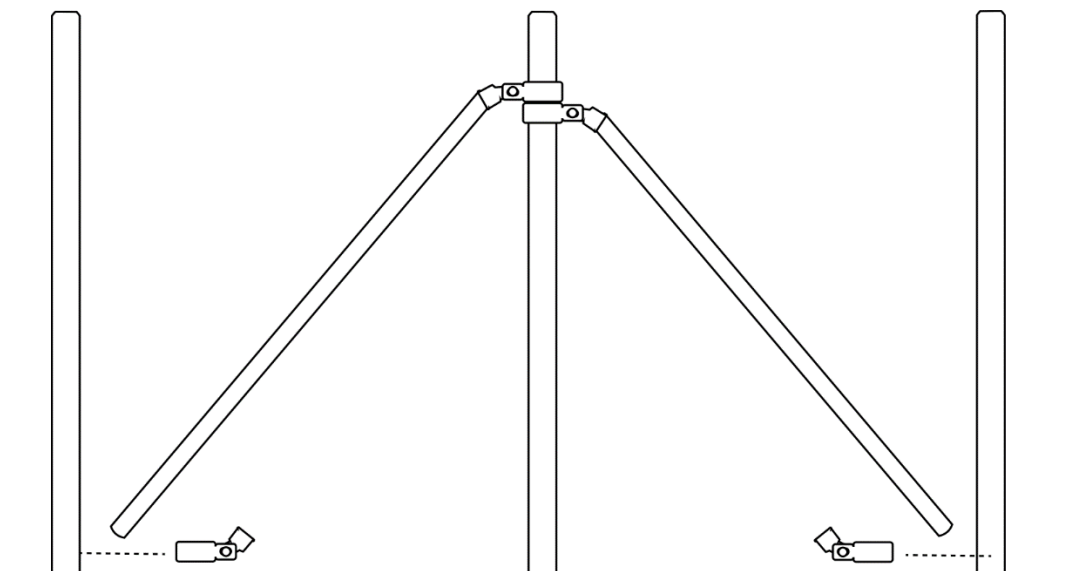
5. After the bands are installed, place your **BRACE POSTS (F)** into the **BRACE CUPS (A)** in line with the fence line. At the point where the posts meet the ground, is where the **GROUND SLEEVES (G)** for your **LINE POSTS (E)** will need to go. See **STEP 2**, to drive the **GROUND SLEEVES (G)** in at this point.

5.



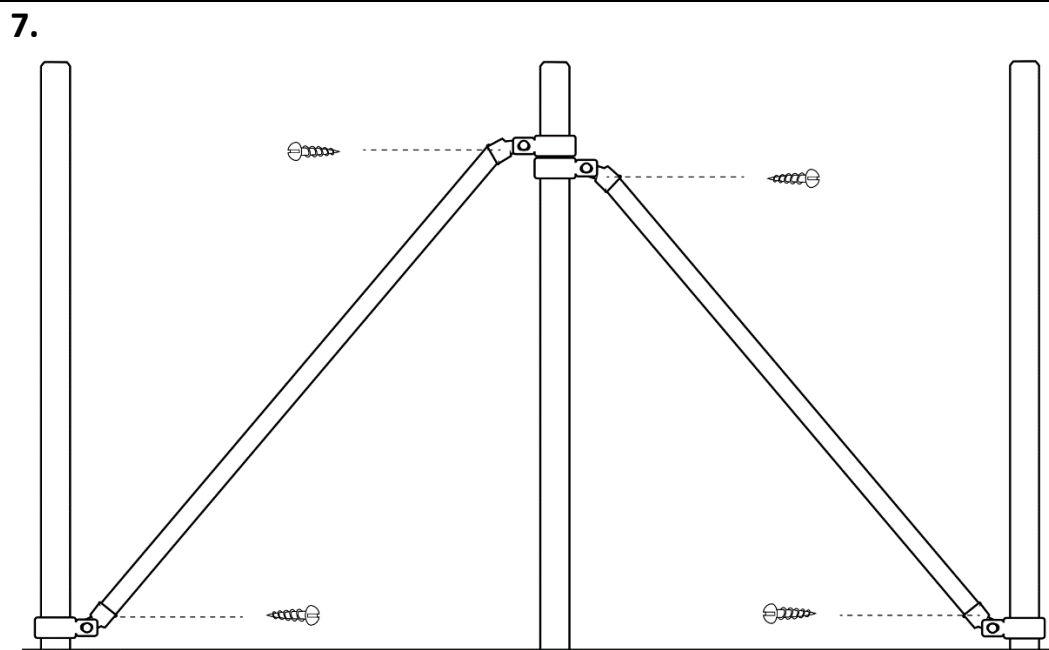
6. Once the **GROUND SLEEVES (G)** are in place, see **STEP 3** for inserting the **LINE POSTS (E)** into the **GROUND SLEEVES (G)**. Attach a **BRACE BAND (B)** and **BRACE CUP (A)**, see **STEP 4**, to the **BOTTOM** of both **LINE POSTS (E)**.

6.



7. Insert the **BRACE POST (F)** into the bottom **BRACE CUP (A)** of the **LINE POST (E)**. Secure the **BRACE POST (F)** by drilling a **SELF-TAPPING SCREW (H)** through both **BRACE CUPS (A)** and **BRACE POST (E)**. Once secured, tighten the **CARRIAGE BOLT (C)** on both **BRACE BANDS (B)**.

Note: Based on the height of your system, you will have to adjust the bottom **BRACE BAND AND CUP** to account for the angle of the **BRACE POST (F)**.



Birds Eye View

