


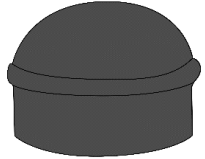



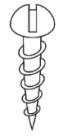


Dog Fence Sleeved End Post Installation Instructions

Note: If a tension system was purchased, please refer to tensioning kit instructions **BEFORE** these instructions.

HARDWARE PARTS

<p>A</p> <p>QTY: 4</p>  <p>1 5/8" Brace Cup Black SKU: DE8144</p>	<p>B</p> <p>QTY: 4</p>  <p>1 5/8" Brace Band Black SKU: DE8080</p>	<p>C</p> <p>QTY: 4</p>  <p>Carriage Bolt w/Washer & Nut Hot Dip Galvanized - 5/16" x 1 1/2" SKU: DE8042</p>	<p>D</p> <p>QTY: 4</p>  <p>1 5/8" Black Dome Post Cap SKU: DE2886-1</p>
<p>E</p> <p>QTY: 4</p>  <p>17 Gauge 1 5/8" Black Powder Coated Galvanized Pipe (See below for measurements)</p>	<p>F</p> <p>QTY: 2</p>  <p>17 Gauge 1 5/8" Black Powder Coated Galvanized Pipe (See below for measurements)</p>	<p>G</p> <p>QTY: 4</p>  <p>Black Ground Sleeve for 1 5/8" Post SKU: DE8196</p>	<p>H</p> <p>QTY: 8</p>  <p>Self-Tapping Screw 3/4" SKU: DE9978-1</p>

Recommended Tools (not included)

Power Drill with 5/16" Drill Bit

Socket Wrench 5/16" or Adjustable wrenches

Sledgehammer

Earth Auger/Digging Bar

Pipes Part List

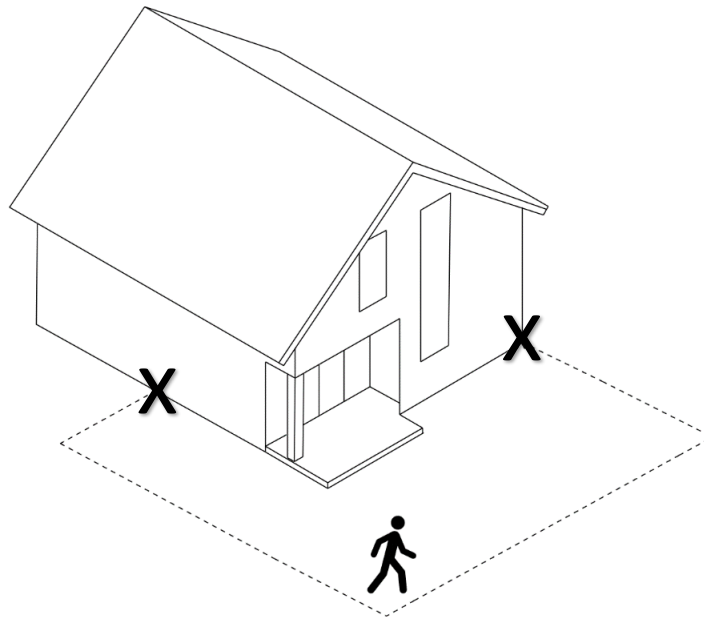
	6' End			5' End		
	Qty	Pipe Measurement	SKU	Qty	Pipe Measurement	SKU
End Posts/Line Posts (E)	4	17 Gauge Black Powder Coated Galvanized Steel Pipe 1 5/8" x 84"	DE8358-084	4	17 Gauge Black Powder Coated Galvanized Steel Pipe 1 5/8" x 72"	DE8358-072
Brace Posts (F)	2	17 Gauge Black Powder Coated Galvanized Steel Pipe 1 5/8" x 96"	DE8358-096	2	17 Gauge Black Powder Coated Galvanized Steel Pipe 1 5/8" x 96"	DE8358-096
	4' End			3' End		
	Qty	Pipe Measurement	SKU	Qty	Pipe Measurement	SKU
End Posts/Line Posts (E)	4	17 Gauge Black Powder Coated Galvanized Steel Pipe 1 5/8" x 60"	DE8358-060	4	17 Gauge Black Powder Coated Galvanized Steel Pipe 1 5/8" x 48"	DE8358-048
Brace Posts (F)	2	17 Gauge Black Powder Coated Galvanized Steel Pipe 1 5/8" x 96"	DE8358-096	2	17 Gauge Black Powder Coated Galvanized Steel Pipe 1 5/8" x 96"	DE8358-096

Dog Fence Sleeved End Post Installation Instructions

1. Lay out your fence design, taking care to note where your ends are going to be placed within the system.

Note: Ends should be placed anywhere the fence is terminating. Either against an existing structure like a house/shed or another fence line.

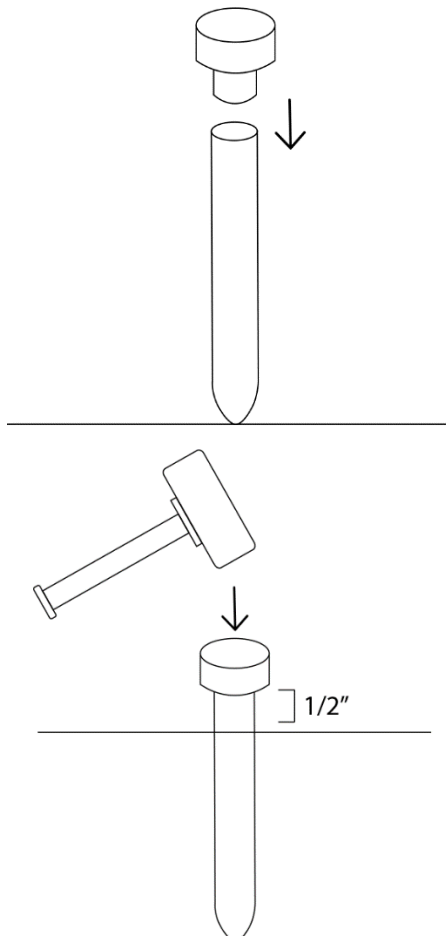
1.



2. Using a **DRIVE CAP (Sold Separately; SKU: DE2812)** and a sledgehammer, drive one (1) **GROUND SLEEVE (G)** into the ground leaving $\frac{1}{2}$ " above ground to keep out debris and allow for securing the post. Care should be taken to ensure that the sleeves are as straight as possible.

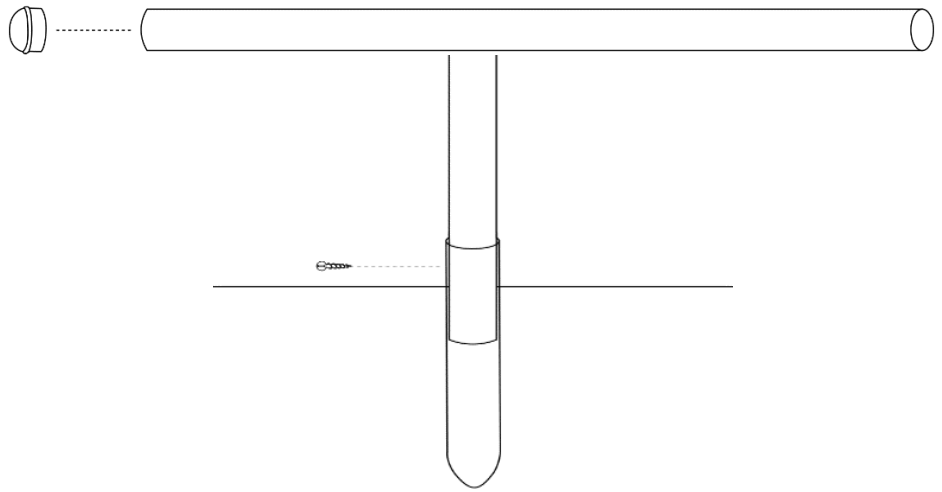
Note: On hard ground it may be necessary to use an **EARTH AUGER (Sold Separately; SKU: DE8189)** or **DIGGING BAR** to make a hole before driving the ground sleeves in.

2.



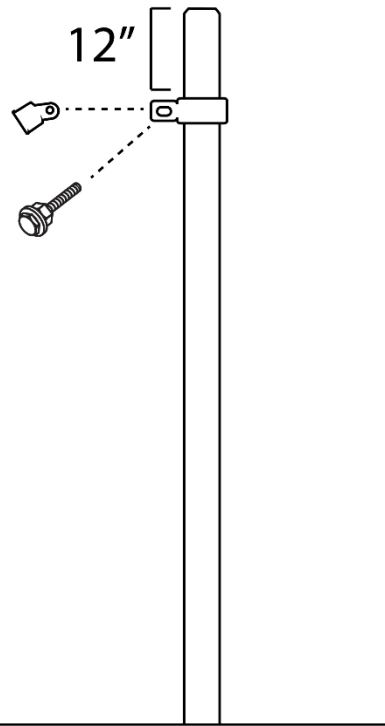
3. Insert the **DOME CAPS (D)** on the top of each **END POST (E)** before sliding into the **GROUND SLEEVE (G)**. Lock posts into place by screwing through the sleeve and into the post using a **SELF-TAPPING SCREW (H)**.

3.



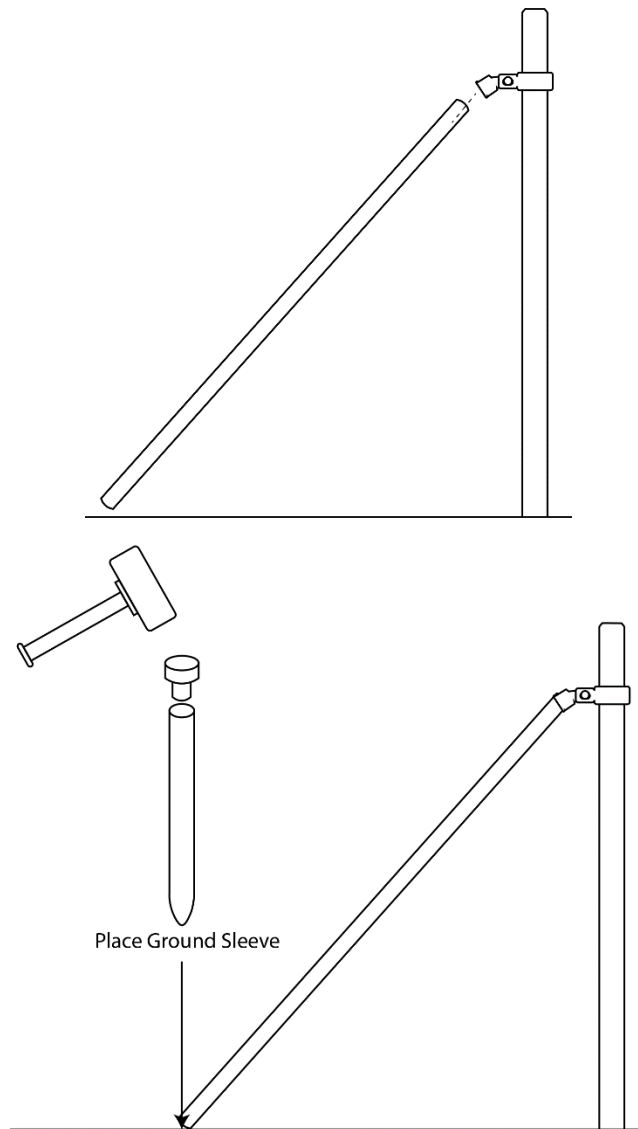
4. Slip **BRACE BAND (B)** and **BRACE CUP (A)** over the **END POST (E)** and position them approximately 12" from the top of the **END POST (E)**. When attaching the **BRACE CUP (A)** to the **BRACE BAND (B)**, position the cup so that the **BRACE POST (F)** will be on the **INSIDE** of the fence line. Use **CARRIAGE BOLT (C)** to hold the **BRACE BAND (B)** and **BRACE CUP (A)** in position. Do not fully tighten.

4.



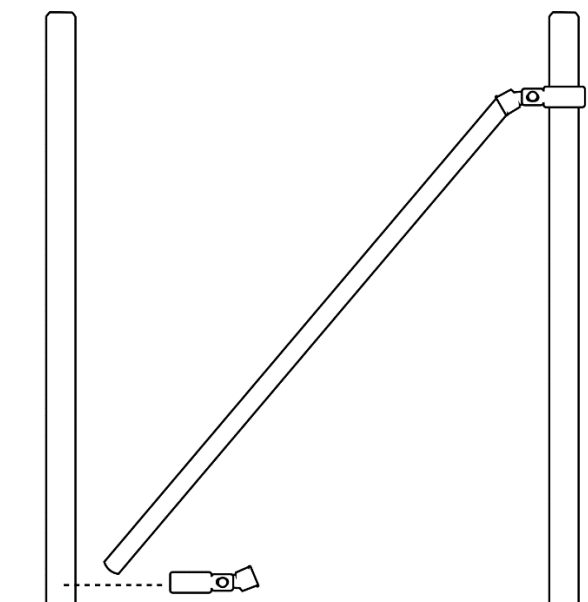
5. After the band is installed, place your **BRACE POST (F)** into the **BRACE CUP (A)** in line with the fence line. At the point where the post meets the ground, is where the **GROUND SLEEVE (G)** for your **LINE POST (E)** will need to go. See **STEP 2**, to drive the **GROUND SLEEVE (G)** in at this point.

5.



6. Once the **GROUND SLEEVE (G)** is in place, see **STEP 3** for inserting the **LINE POST (E)** into the **GROUND SLEEVE (G)**. Attach a **BRACE BAND (B)** and **BRACE CUP (A)**, see **STEP 4**, to the **BOTTOM** of the **LINE POST (E)**.

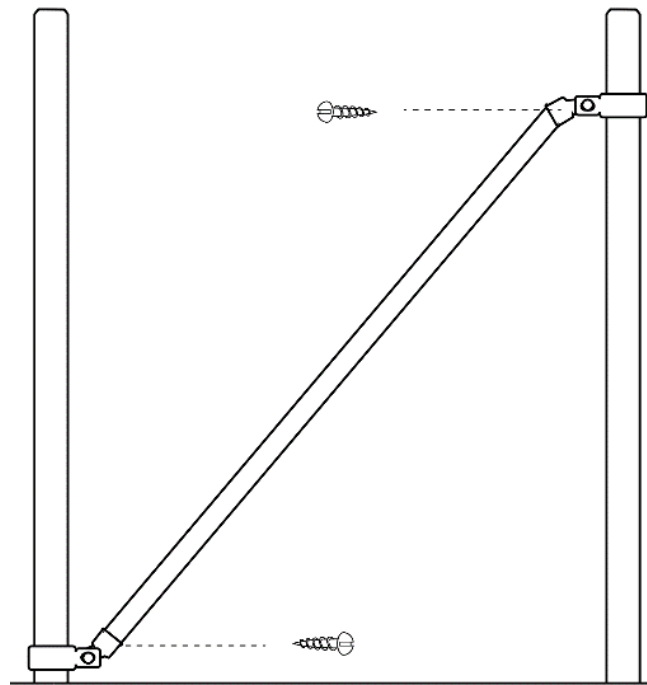
6.



7. Insert the **BRACE POST (F)** into the bottom **BRACE CUP (A)** of the **LINE POST (E)**. Secure the **BRACE POST (F)** by drilling a **SELF-TAPPING SCREW (H)** through both **BRACE CUPS (A)** and **BRACE POST (E)**. Once secured, tighten the **CARRIAGE BOLT (C)** on both **BRACE BANDS (B)**.

Note: Based on the height of your system, you will have to adjust the bottom **BRACE BAND AND CUP** to account for the angle of the **BRACE POST (F)**.

7.



Birds Eye View

Existing Structure

